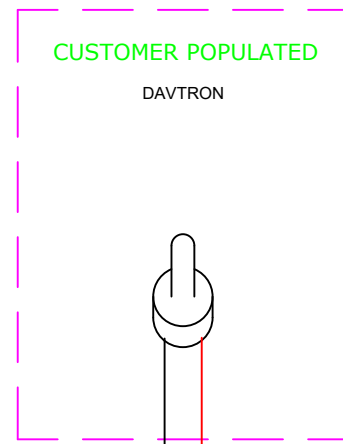


SYMBOL KEY



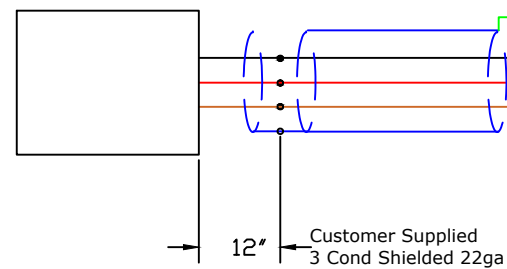
Optional OAT



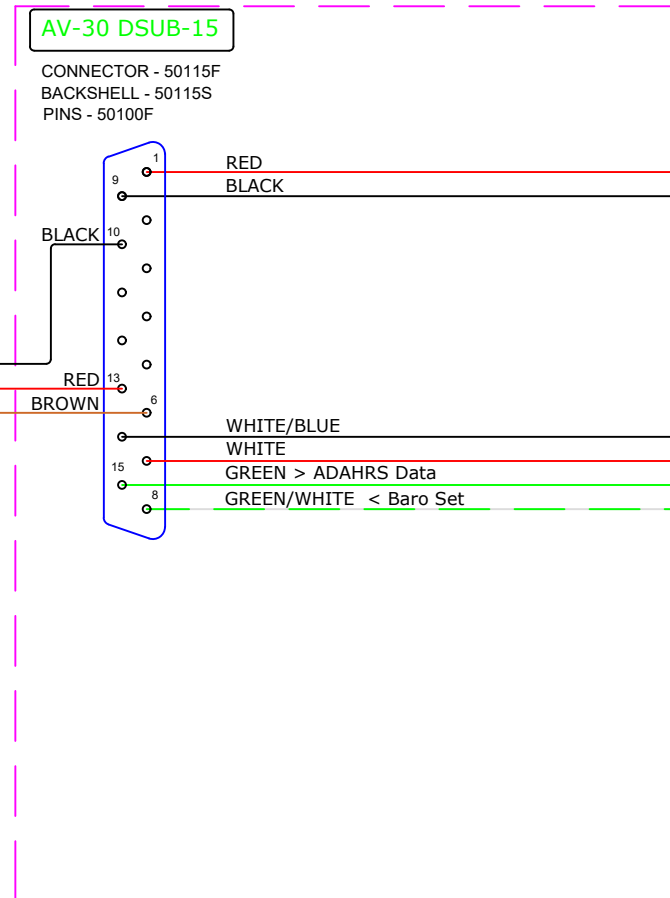
CONSTRUCTION NOTES

1. ALL WIRES SHALL BE 22 AWG TEFLON COATED
2. TWISTED WIRES SHALL HAVE 8-10 TWIST'S PER INCH
3. HEATSHRINK SHALL BE USED TO TERMINATE THE SNAKESKIN AT THE BASE OF EACH DSUB CONNECTOR

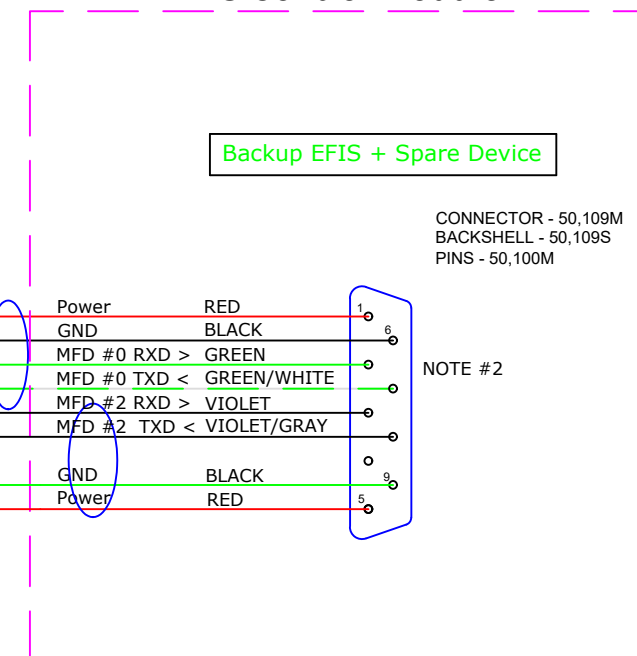
OPTIONAL AV-MAG



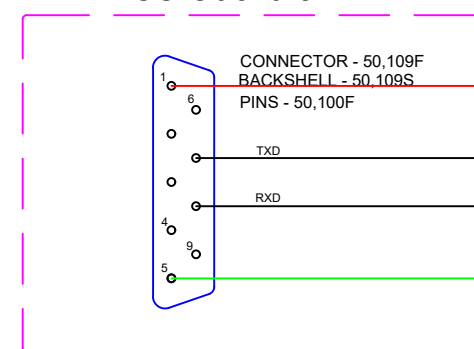
AV-30



AFS Control Module



CO Guardian



24"

LENGTHS

	AV-30
RV-7	
RV-8	
RV-10 AEROSPORT	
RV-10	

ITEM	QTY	PART #	DESCRIPTION
NOTES:			
<p>ADVANCED FLIGHT SYSTEMS INC.</p> <p>PHONE: (503) 263-0037 FAX: (503) 263-1138 320 REDWOOD ST CANBY, OR 97013</p>			
DATE	1/20/21	SCALE	NONE
DRN	RJH	APPV	RJH
REV	DATE	DESCRIPTION	REV BY
TITLE ACM to AV-30 Harness			P/N 57313
			REV. 6

6	9/10/2025	Added Shield to AVMAG	RJH
5	5/15/2025	Moved AV30 RS-232 to AV30 COM3	RJH
4	3/14/2024	Added Remote MAG Cable	RJH
1	1/20/2021	Initial Drawing	RJH

This drawing is the property of Advanced Flight Systems Inc. and contains confidential information. It is not to be copied, reproduced or used without written approval.