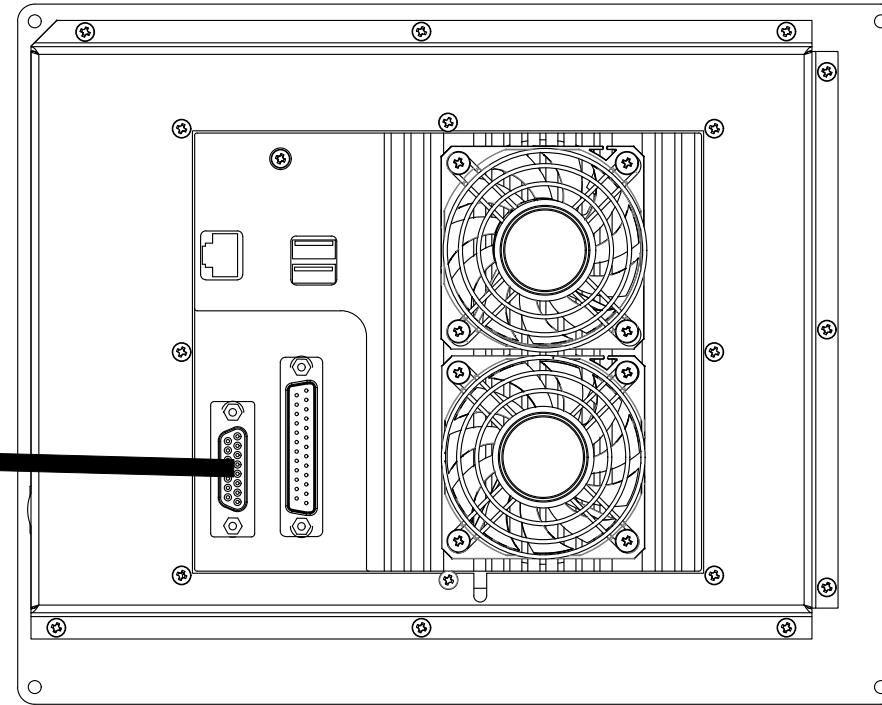
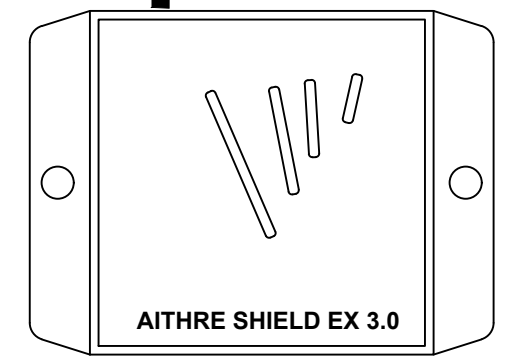
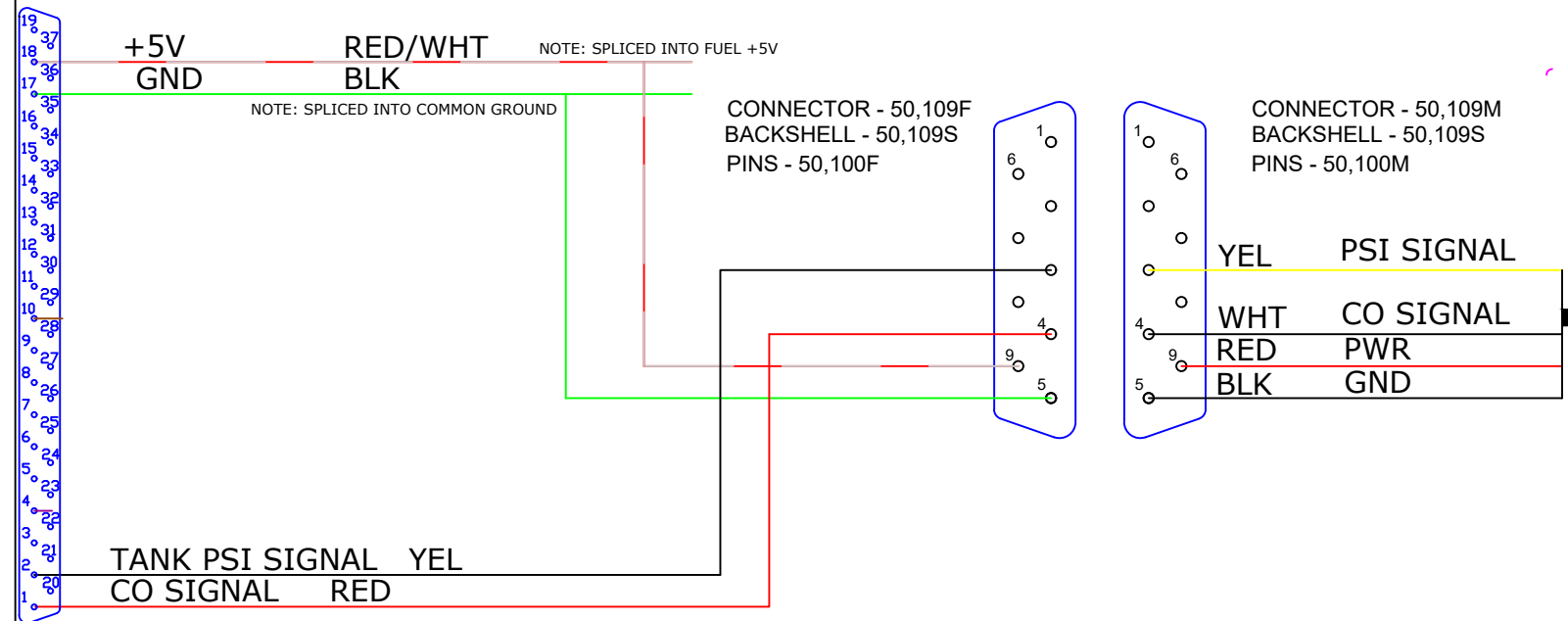
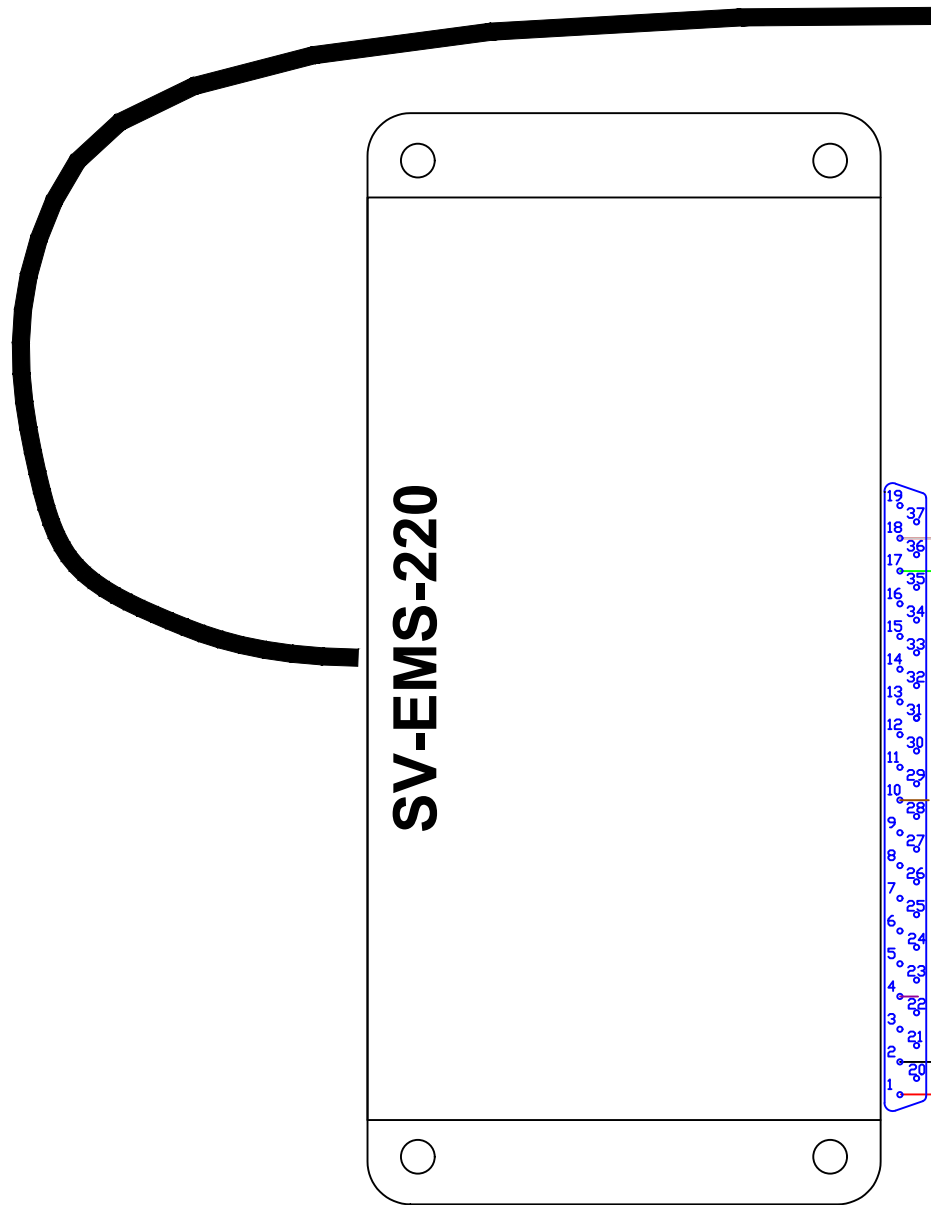


AF-5000 / AF-6600 EFIS



EFIS SETTINGS
CO Detector Athre Shield ANALOG
O2 Tank Pressure Athre ANALOG

SV-EMS-220



ITEM	QTY	PART #	DESCRIPTION
NOTES:			
ADVANCED			
PHONE: (503) 263-0037 FAX: (503) 263-1138			
320 REDWOOD ST			
CANBY, OR 97013			
DATE	1/6/23	SCALE	NONE
DRN	RJH	APPV	RJH
This drawing is the property of Advanced Flight Systems Inc. and contains confidential information. It is not to be copied, reproduced or used without written approval.			
REV	DATE	DESCRIPTION	REV BY
TITLE AF-5000/6600 Aithre EX 3.0-S INTERCONNECT WIRING			P/N 74262
			B 1