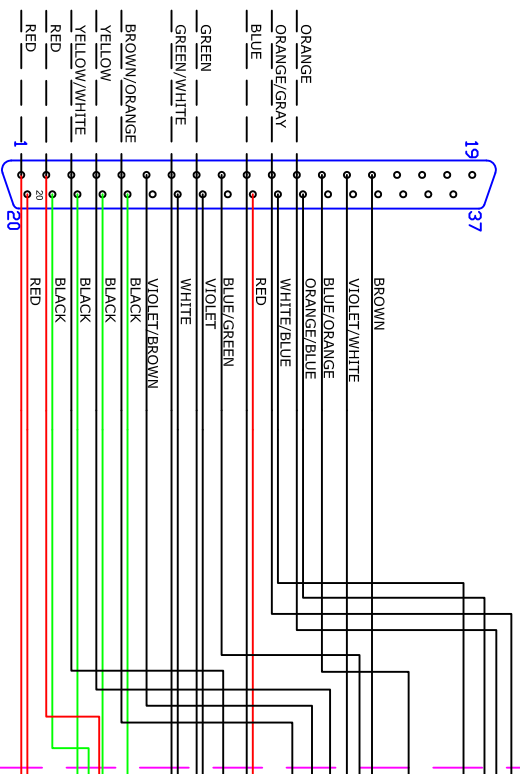


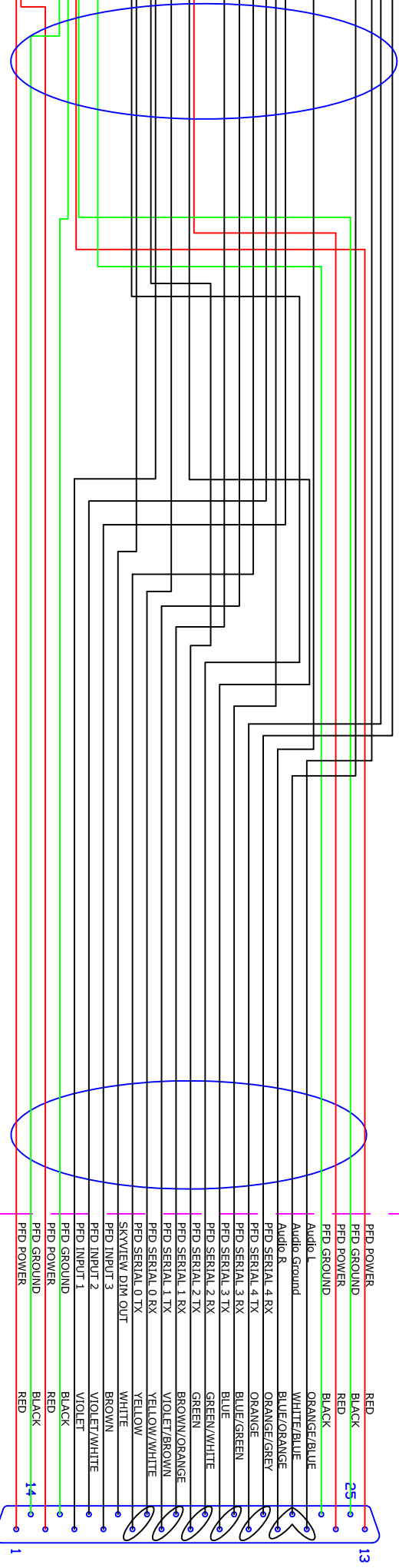
SKYVIEW

EFIS Main Harness DSUB-37



AFS Control Module

EFIS PFD DSUB-25



CONSTRUCTION NOTES

1. ALL WIRES SHALL BE 22 AWG TEZZEL COATED
2. TWISTED WIRES SHALL HAVE 8-10 TWISTS PER INCH
3. HEATSHRINK SHALL BE USED TO TERMINATE THE SNAKESKIN AT THE BASE OF EACH DSUB CONNECTOR

SYMBOL KEY



ITEM	QTY	PART #	DESCRIPTION
------	-----	--------	-------------

NOTES:

2	3/4/15	ADDED COLOR CODE	REV	DATE	DESCRIPTION	REV	BY
1	6/19/14	Initial Drawing	REV	DATE	DESCRIPTION	REV	BY

DATE: 6/18/14 SCALE: NONE
 PNL: RB APR: RAH
 This drawing is the property of Advanced Flight Systems Inc. Information, it is not to be copied, reproduced or used without written approval.
 ADVANCED FLIGHT SYSTEMS INC.
 PHONE: (503) 263-0037 FAX: (503) 263-1158
 320 REDWOOD ST
 CANBY, OR 97015
 TITLE: SkyView HARNESS P/N: 57.2005 A 2