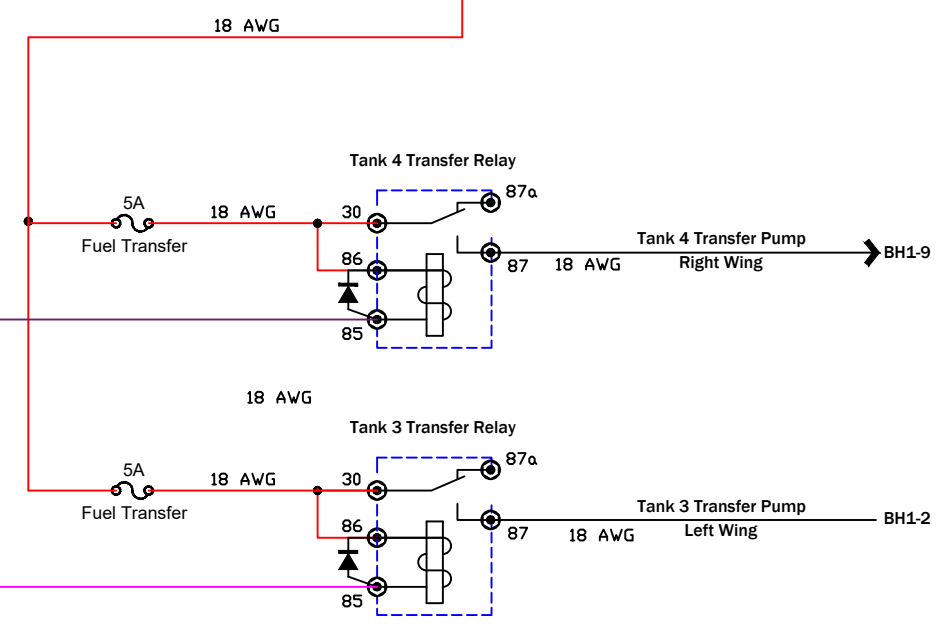
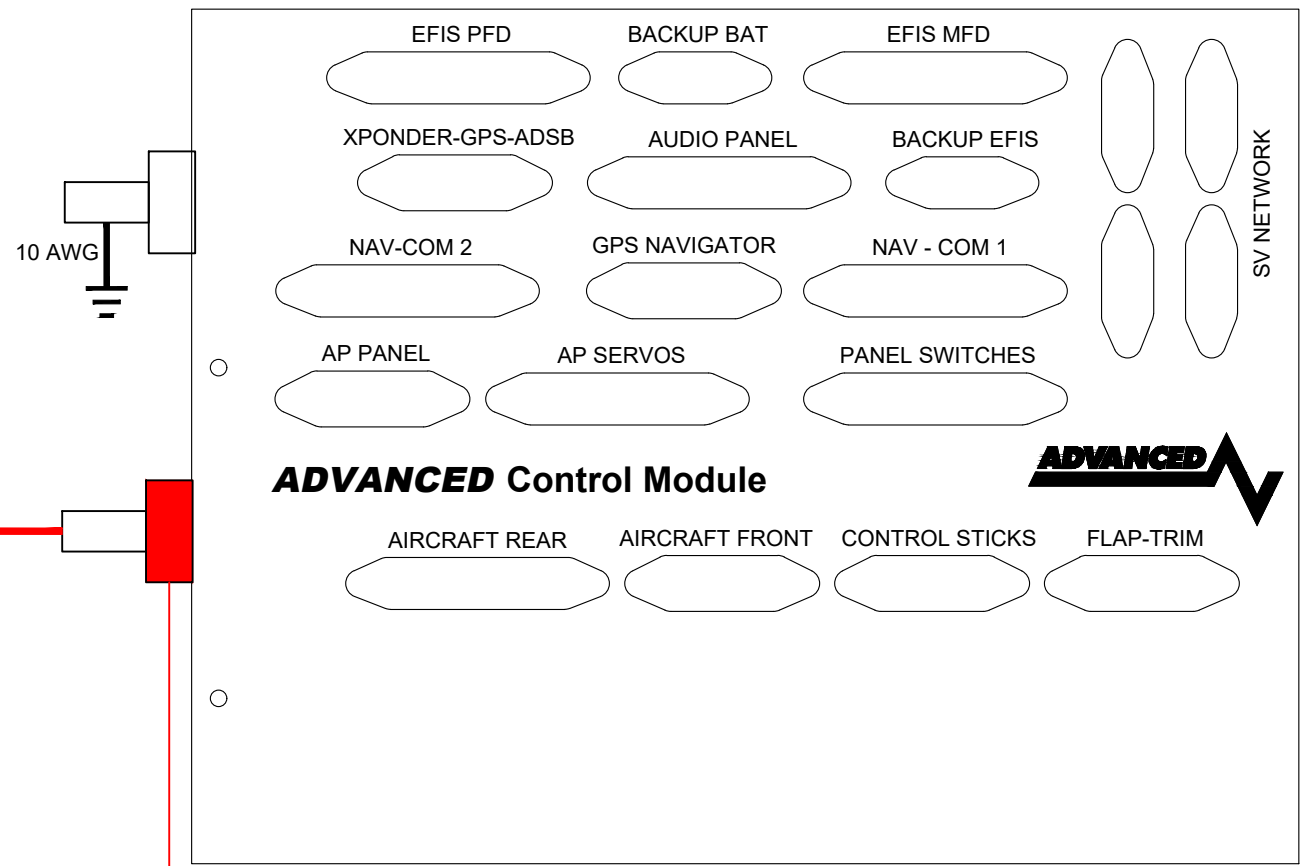


Uses PCB P/N: 70065 R1
NO Jumper Mods

ACM Mounted on Sub Panel



ITEM	QTY	PART #	DESCRIPTION
3	8	73503	Relay Base Pins
2	2	73502	Relay Base
1	2	73501	Fuel Transfer Relay

NOTES:
 DATE 2/10/23 SCALE NONE
 DRN: RJH APPR: RJH
 This drawing is the property of Advanced Flight Systems Inc. and contains confidential information. It is not to be copied, reproduced or used without written approval.

ADVANCED
 PHONE: (503) 263-0037
 WWW.ADVANCED-FLIGHT-SYSTEMS.COM
 320 REDWOOD ST
 CANBY, OR 97013

REV	DATE	DESCRIPTION	REV BY	TITLE	P/N	REV.
				Sportsman Switch Wiring Fuel Transfer Relays	57281-479	5