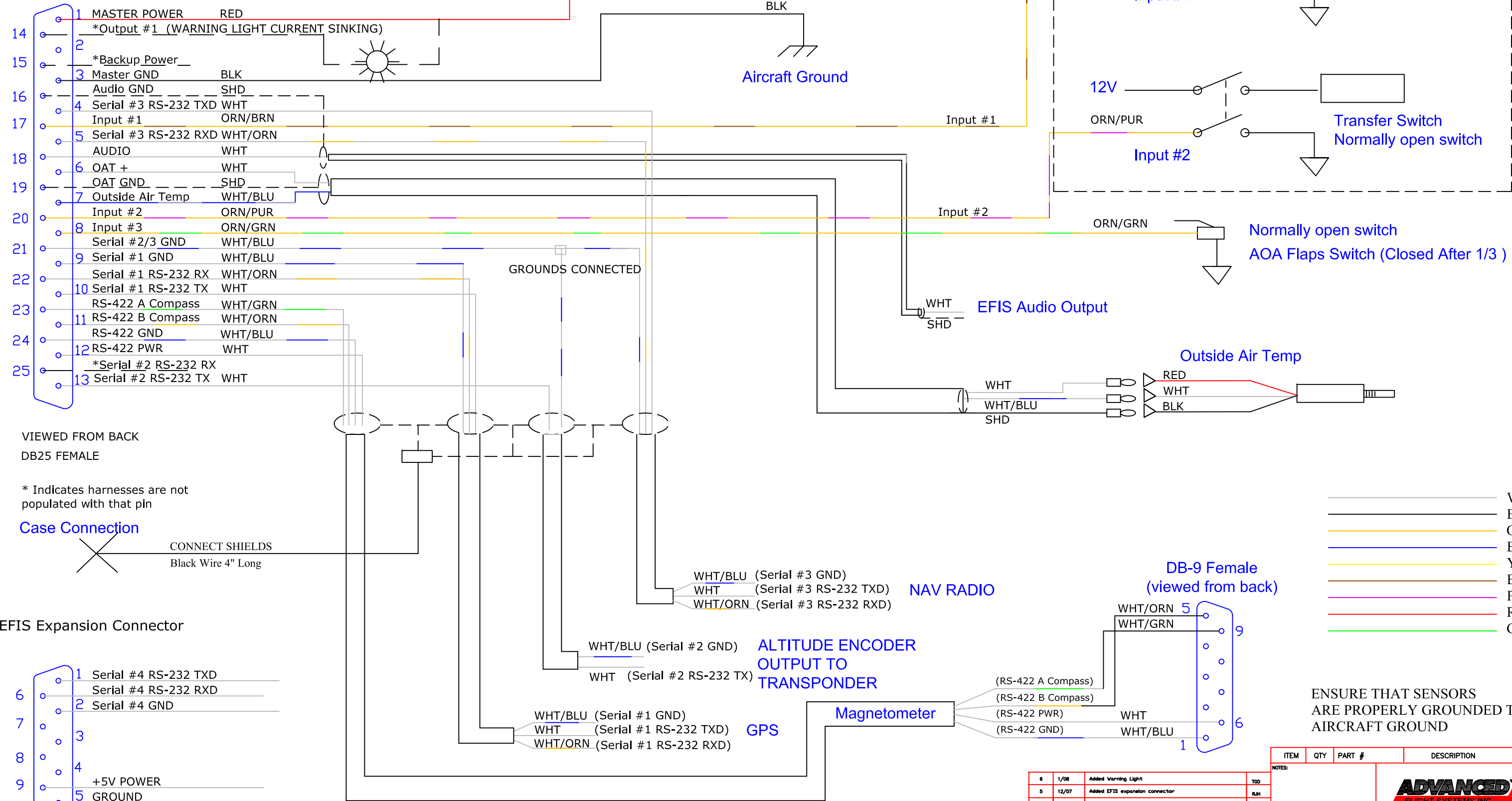


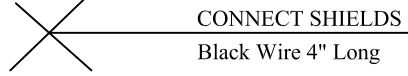
EFIS Main Cable



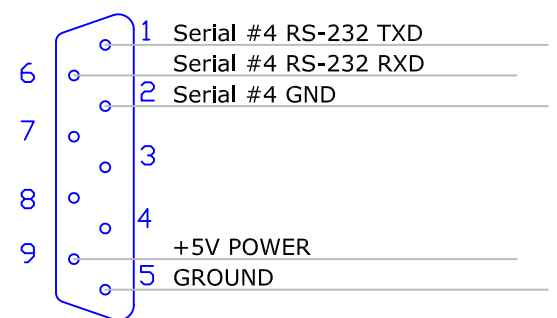
VIEWED FROM BACK
DB25 FEMALE

* Indicates harnesses are not populated with that pin

Case Connection



EFIS Expansion Connector



- WHITE
- BLACK
- ORANGE
- BLUE
- YELLOW
- BROWN
- PURPLE
- RED
- GREEN

ENSURE THAT SENSORS ARE PROPERLY GROUNDED TO AIRCRAFT GROUND

REV	DATE	DESCRIPTION	REV BY
6	1/08	Added Warning Light	TGD
5	12/07	Added EFIS expansion connector	RJH
4	1/15/07	Changed Breaker to 3 Amp	RJH
3	09/27/06	Added DB9 for Magnetometer, swapped Serial #2 wires on diagram (did not change pins)	TGD
2	08/14/06	Changed pin 5 from SHIELD to White (Serial #3 RXD) - Pin 16 is now shield (GND), populated Serial #3 wires, added transfer switch option	TGD
1	06/20/06	Initial Drawing	TGD

ITEM	QTY	PART #	DESCRIPTION
NOTES:			
<p>PHONE: (503) 263-0037 FAX: (503) 263-1138 320 REDWOOD ST CANBY, OR 97013</p>			
DATE	6/20/06	SCALE	NONE
DRN.	TGD	APPR.	RJH
This drawing is the property of Advanced Flight Systems Inc. and contains confidential information. It is not to be copied, reproduced or used without written approval.			
TITLE	WIRING DIAGRAM-EFIS Main Harness Connections	P/N	53600WD B
REV	7		