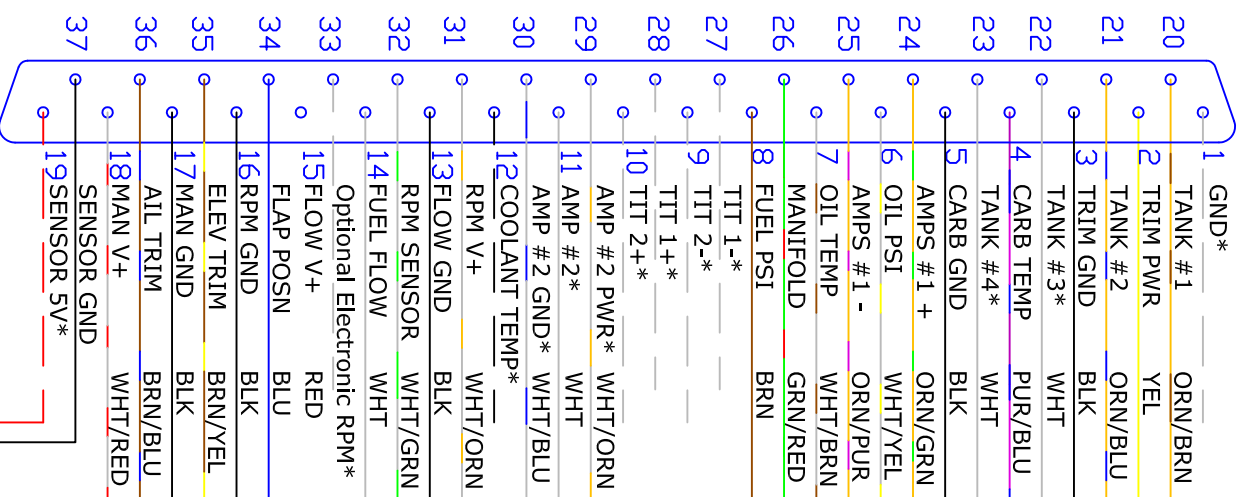
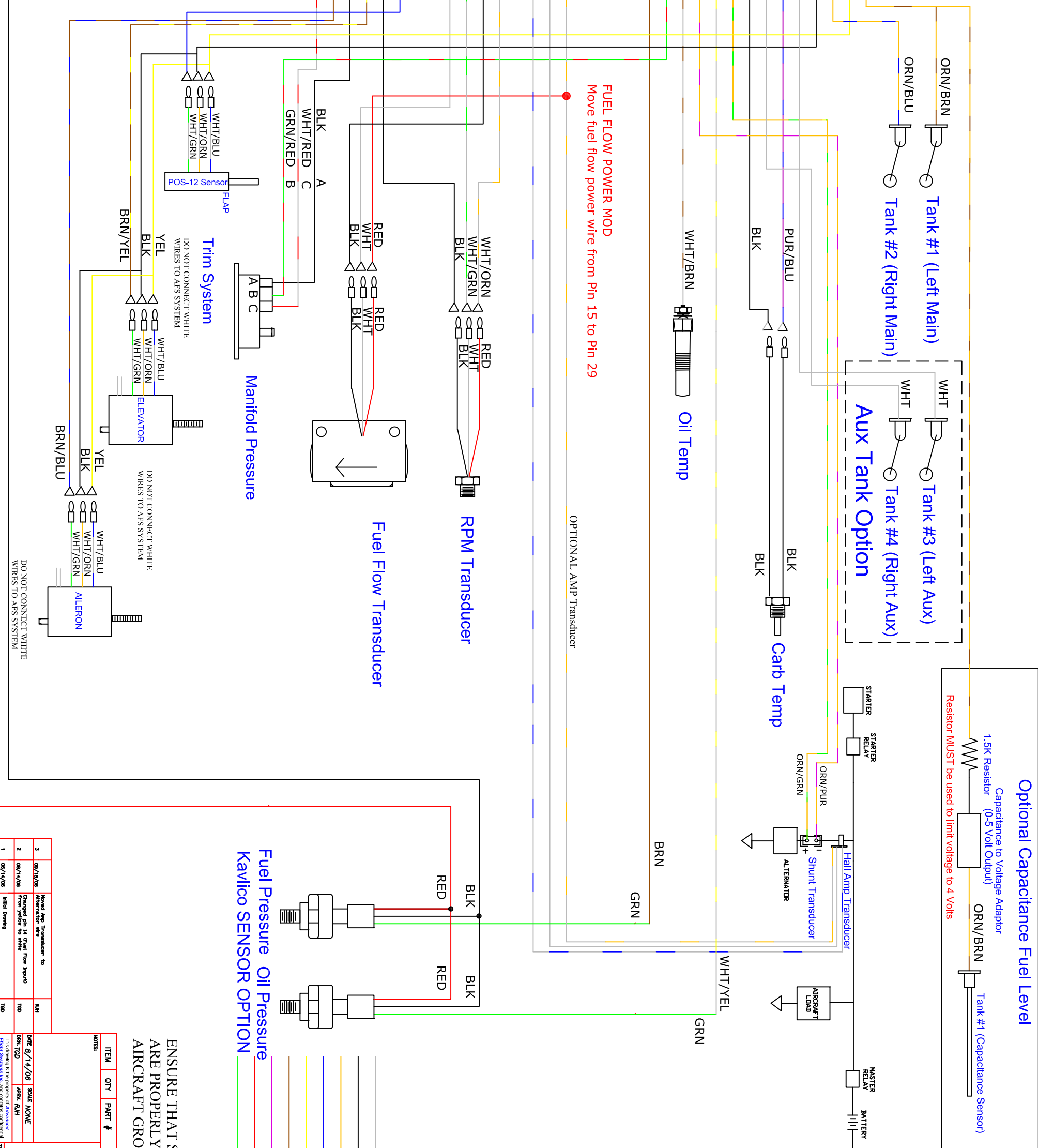


Engine Sensor
Main Cable



*Indicates harnesses are not populated with that pin

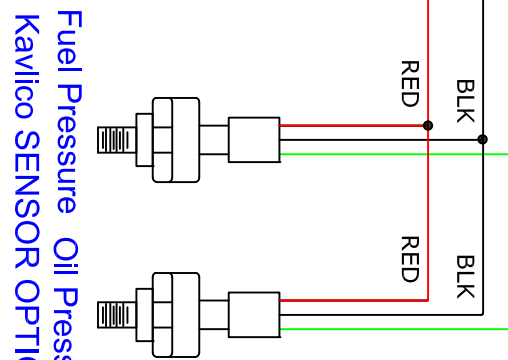


Optional Capacitance Fuel Level

Capacitance to Voltage Adaptor
1.5K Resistor (0-5 Volt Output)

ORN/BRN Tank #1 (Capacitance Sensor)

Resistor **MUST** be used to limit voltage to 4 Volts



- WHITE
- BLACK
- ORANGE
- BLUE
- YELLOW
- BROWN
- PURPLE
- RED
- GREEN

ENSURE THAT SENSORS ARE PROPERLY GROUNDED TO AIRCRAFT GROUND

REV	DATE	DESCRIPTION	REV BY
1	06/14/08	Initial Drawing	TOD
2	06/14/08	Changed pin 14 Fuel Flow Input from yellow to blue	TOD
3	06/18/08	Moved Amp Transducer to Starter Relay wire	RAH

ITEM	QTY	PART #	DESCRIPTION
1			
2			
3			

DATE: 8/14/08 SCALE: NONE
 DRN: TOD APPR: RAH

PHONE: (603) 265-0037 FAX: (603) 265-1138
 10714 S. TOWNSHIP RD
 CANBY, OR 97103

ADVANCED FLIGHT SYSTEMS INC.

Wiring Diagram Engine Sensor Harness P/N 53900WD REV B 7