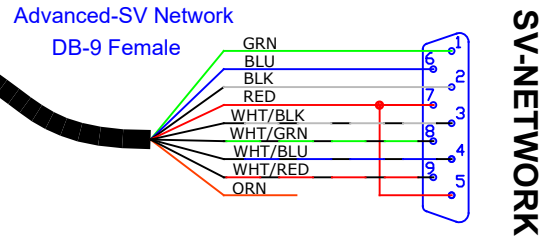
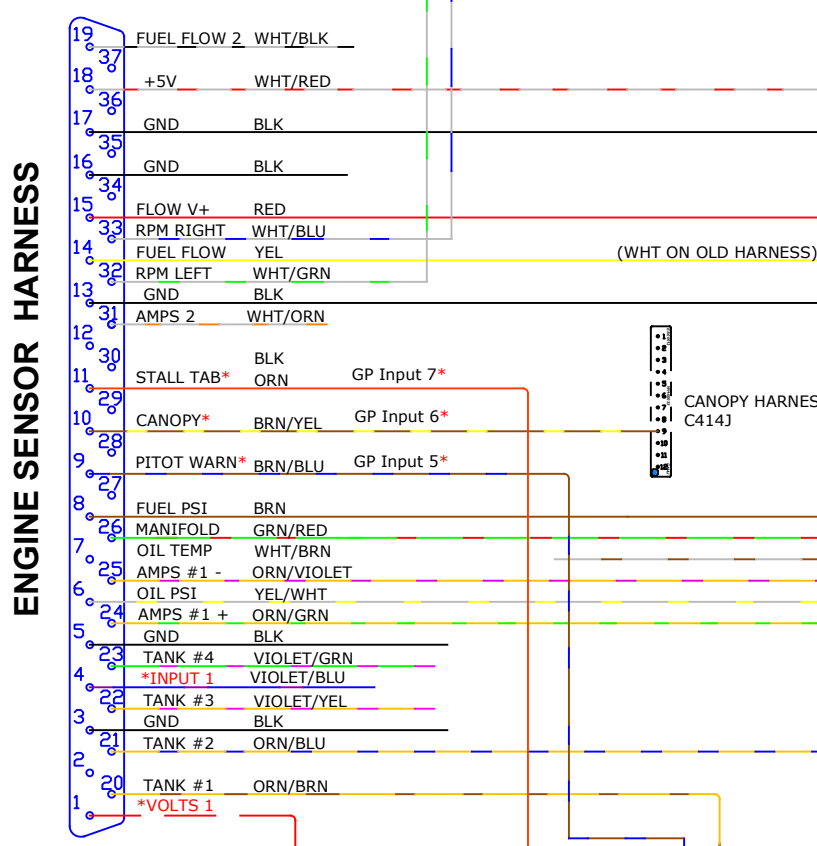
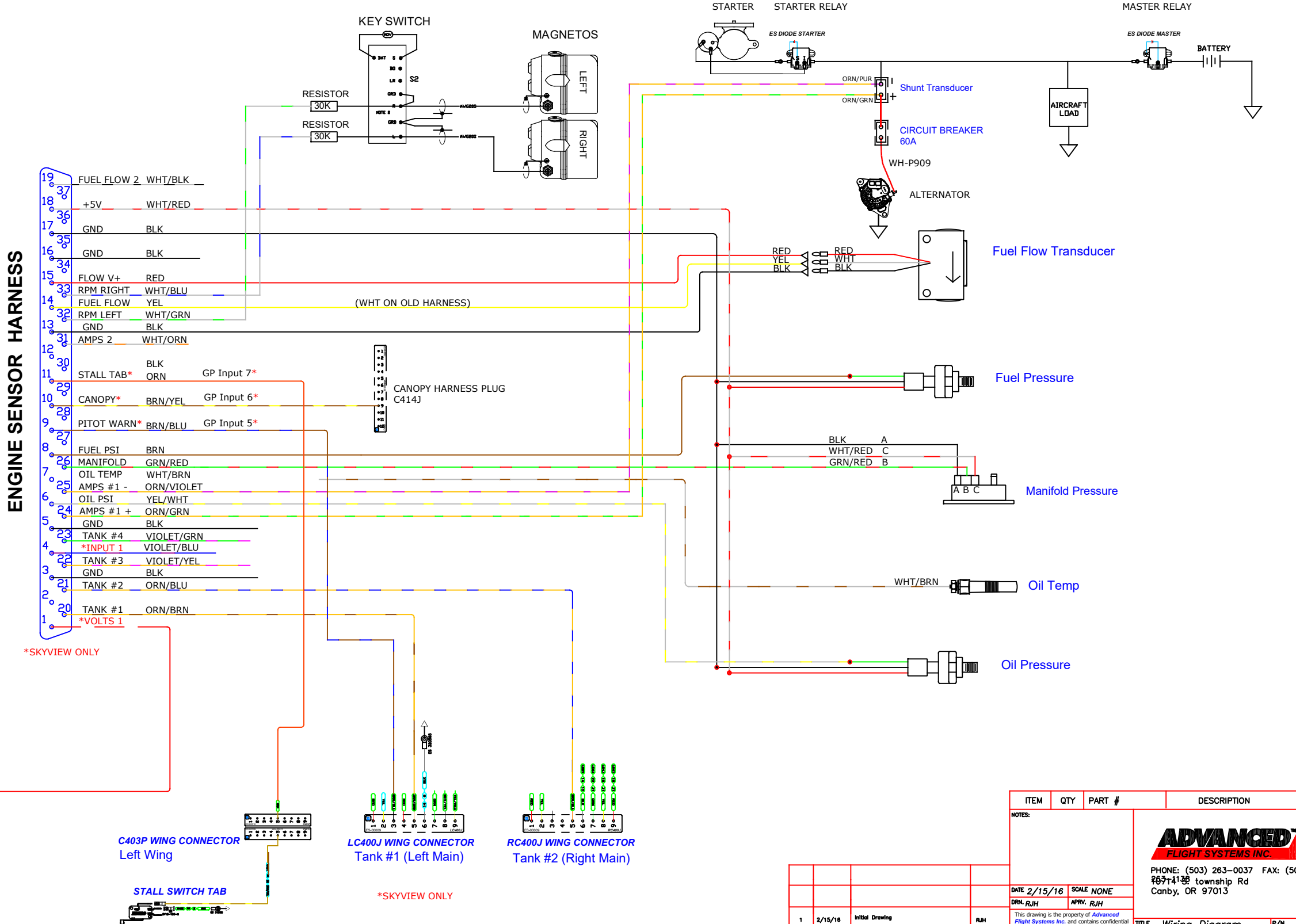
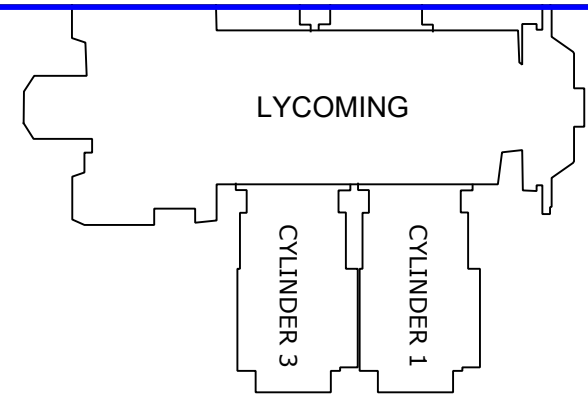
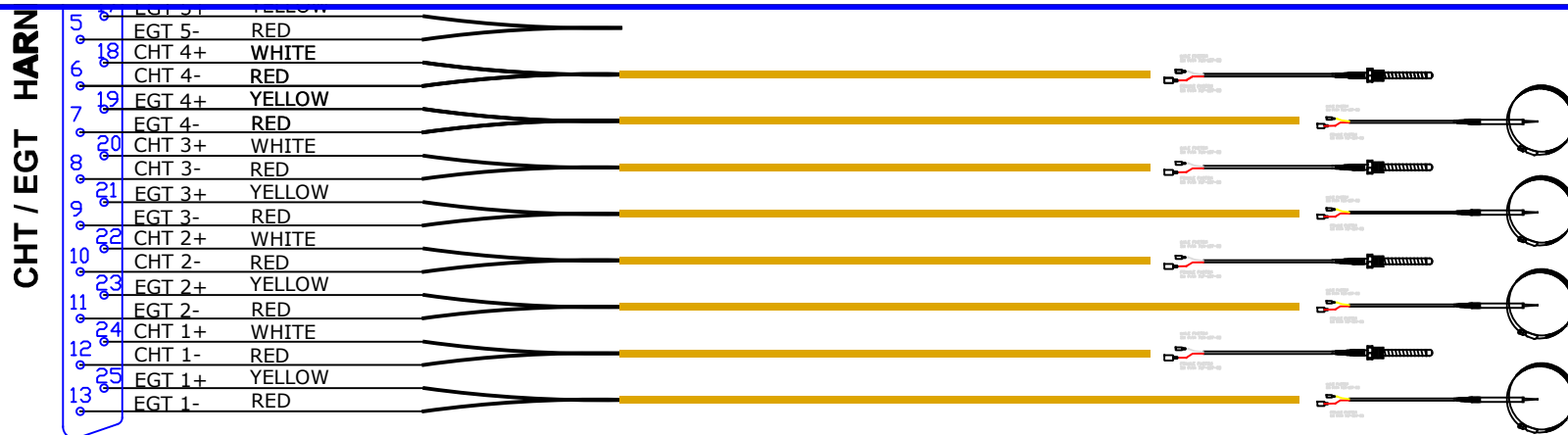
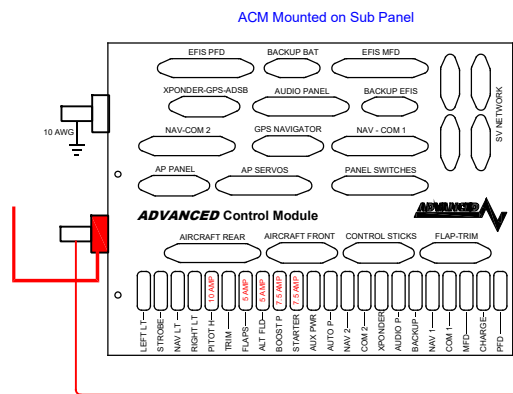


SV-EMS-220



***NOTE AF-5000 EFIS ONLY
PIN 5 MUST BE JUMPERED TO PIN 7 TO
POWER THE FUEL FLOW TRANSDUCER**



ITEM	QTY	PART #	DESCRIPTION
NOTES:			
ADVANCED FLIGHT SYSTEMS INC.			
PHONE: (503) 263-0037 FAX: (503) 263-1138 14138 township Rd Canby, OR 97013			
DATE	2/15/16	SCALE	NONE
DRN	RJH	APPR	RJH
This drawing is the property of Advanced Flight Systems Inc. and contains confidential information. It is not to be copied, reproduced or used without written approval.			
REV	DATE	DESCRIPTION	REV BY
1	2/15/16	Initial Drawing	RJH
TITLE		Wiring Diagram	P/N
SV-EMS RV-14 Harness		53914	B 7