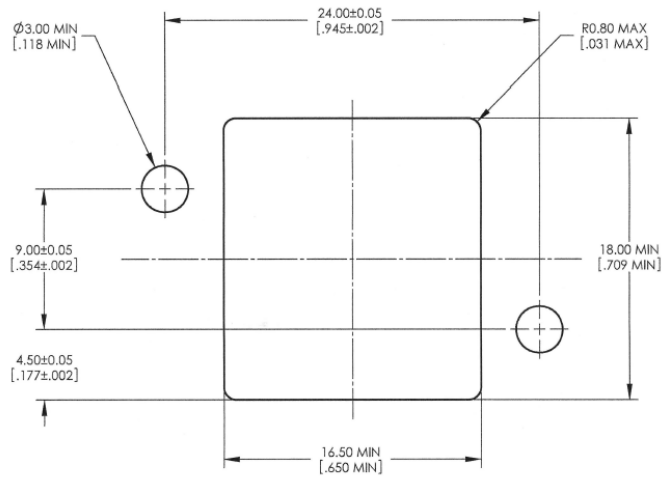


P/N: 73135 USB Panel Mount Intelligent Charger

Both ports will dynamically adapt to any device that is plugged in and signal it to "Rapid" charge.
Knows iPad-4 protocol.



RECOMMENDED PANEL CUTOUT

- Dimensions in the drawing above are in mm., (inches are in parentheses).
- 4 - 40 mounting screws.
- The device is 2 1/4" W x 1 1/8" H x 1 1/2" D (Should probably have 2" behind panel.)
- There must be plenty of room for air to circulate by the diode heat-sink.

