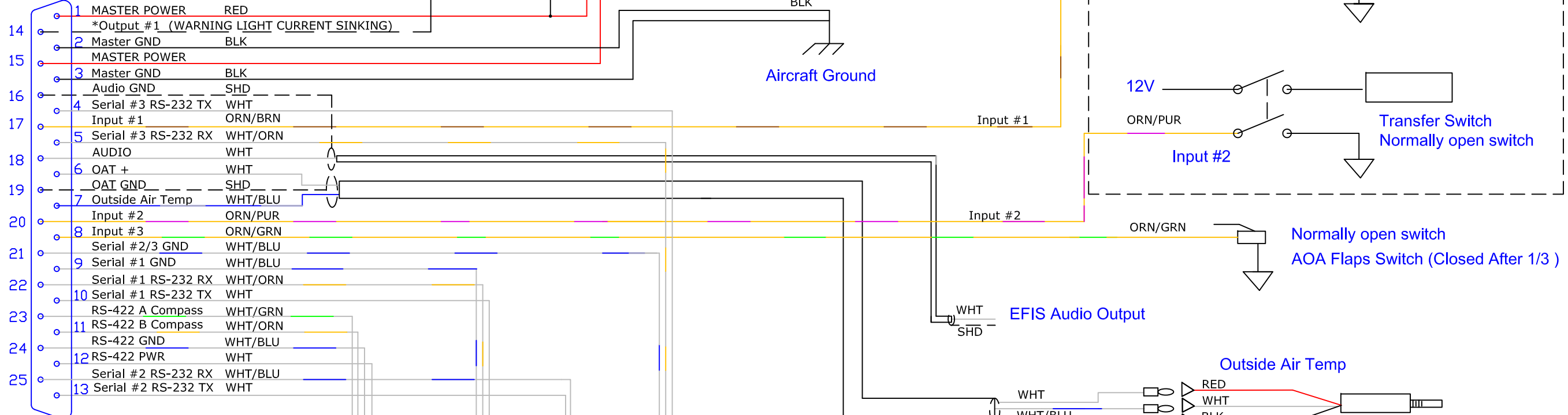


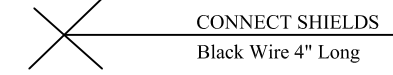
EFIS Main Cable



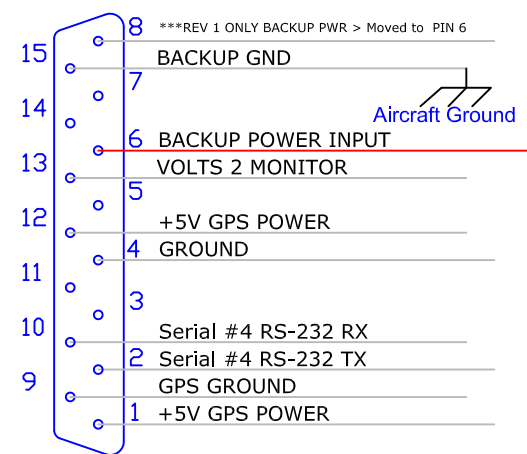
VIEWED FROM BACK
CABLE DB25 FEMALE

* Indicates harnesses are not populated with that pin

Case Connection



EFIS Expansion CABLE



VIEWED FROM BACK
CABLE DB15 MALE

- WHITE
- BLACK
- ORANGE
- BLUE
- YELLOW
- BROWN
- PURPLE
- RED
- GREEN

ENSURE THAT SENSORS ARE PROPERLY GROUNDED TO AIRCRAFT GROUND

REV	DATE	DESCRIPTION	REV BY
9	10/12	Moved Serial 2 gnd to receive	RJH
8	1/08	Added Warning Light	TGD
5	12/07	Added EFIS expansion connector	RJH
4	1/15/07	Changed Breaker to 3 Amp	RJH
3	09/27/06	Added DB9 for Magnetometer, swapped Serial #2 wires on diagram (did not change pins)	TGD
2	08/14/06	Changed pin 5 from SHIELD to White (Serial #3 RX) - Pin 16 is now shield (GND), populated Serial #3 wires, added transfer switch option	TGD
1	06/20/06	Initial Drawing	TGD

ITEM	QTY	PART #	DESCRIPTION
NOTES:			
DATE 6/20/06		SCALE NONE	
DRN. TGD	APRV. RJH		
<p>ADVANCED FLIGHT SYSTEMS INC.</p> <p>PHONE: (503) 263-0037 FAX: (503) 263-1138 320 REDWOOD ST CANBY, OR 97013</p>			
TITLE WIRING DIAGRAM-EFIS Main Harness Connections			P/N 53600WD B REV 9