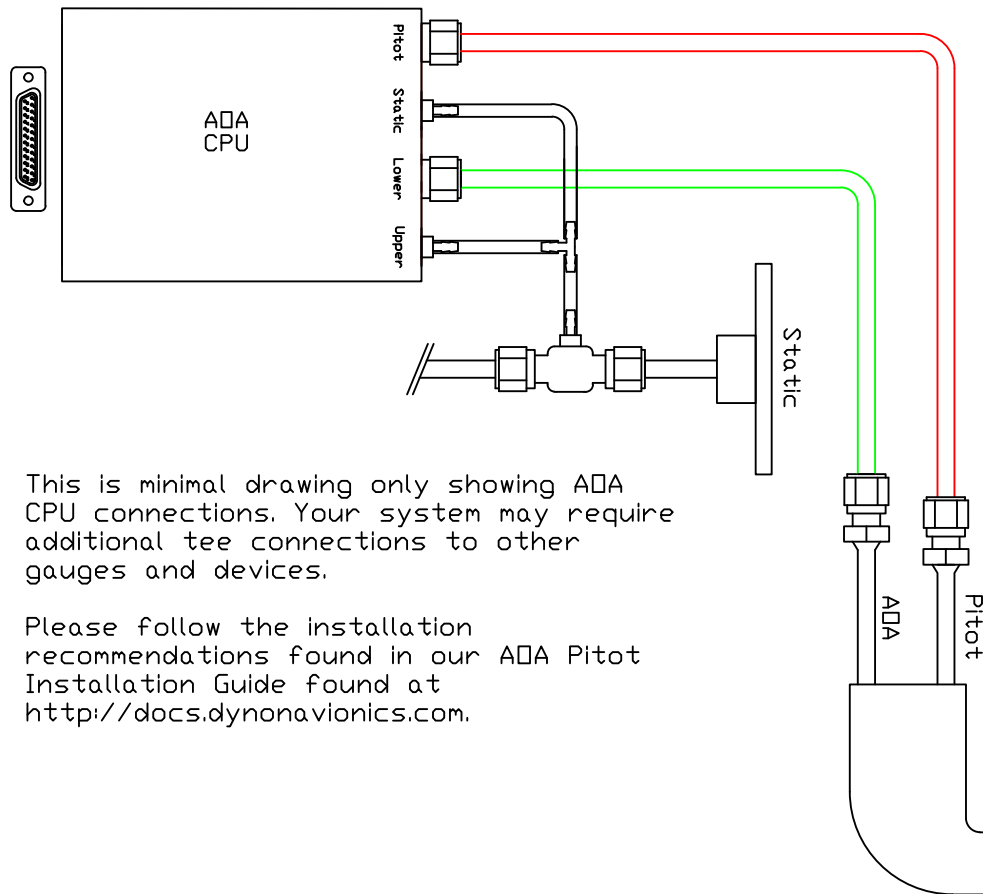


Flap switch completes circuit to ground as the flaps leave the up position or as specified otherwise.

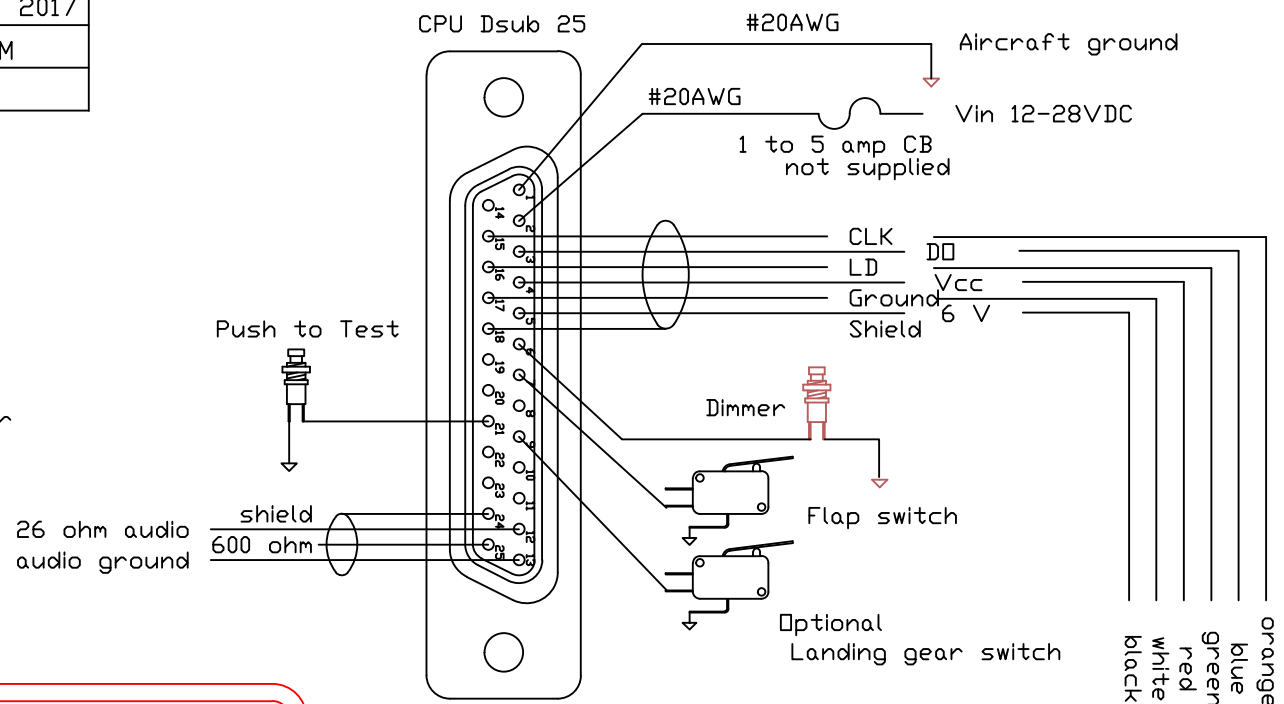
Gear switch completes circuit to ground when the gear is down.

Single audio wire connects are usually acceptable. Connect the inner conductor to either an audio panel input, intercom input or directly to the tip of the pilot's audio headphone jack.



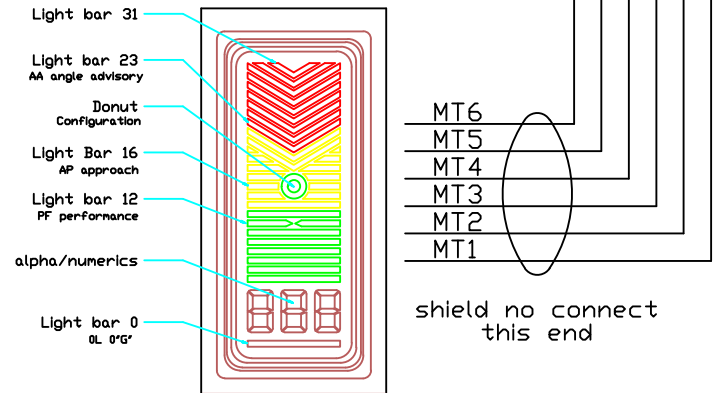
This is minimal drawing only showing ADA CPU connections. Your system may require additional tee connections to other gauges and devices.

Please follow the installation recommendations found in our ADA Pitot Installation Guide found at <http://docs.dynonavionics.com>.



26 ohm audio
600 ohm
audio ground

All wiring #22AWG MS22759 tefzel except as marked otherwise



Pressure test all systems for leaks prior to flight

Use acceptable methods, techniques and practices in accordance with DOT FAA circular AC 43.13-1A