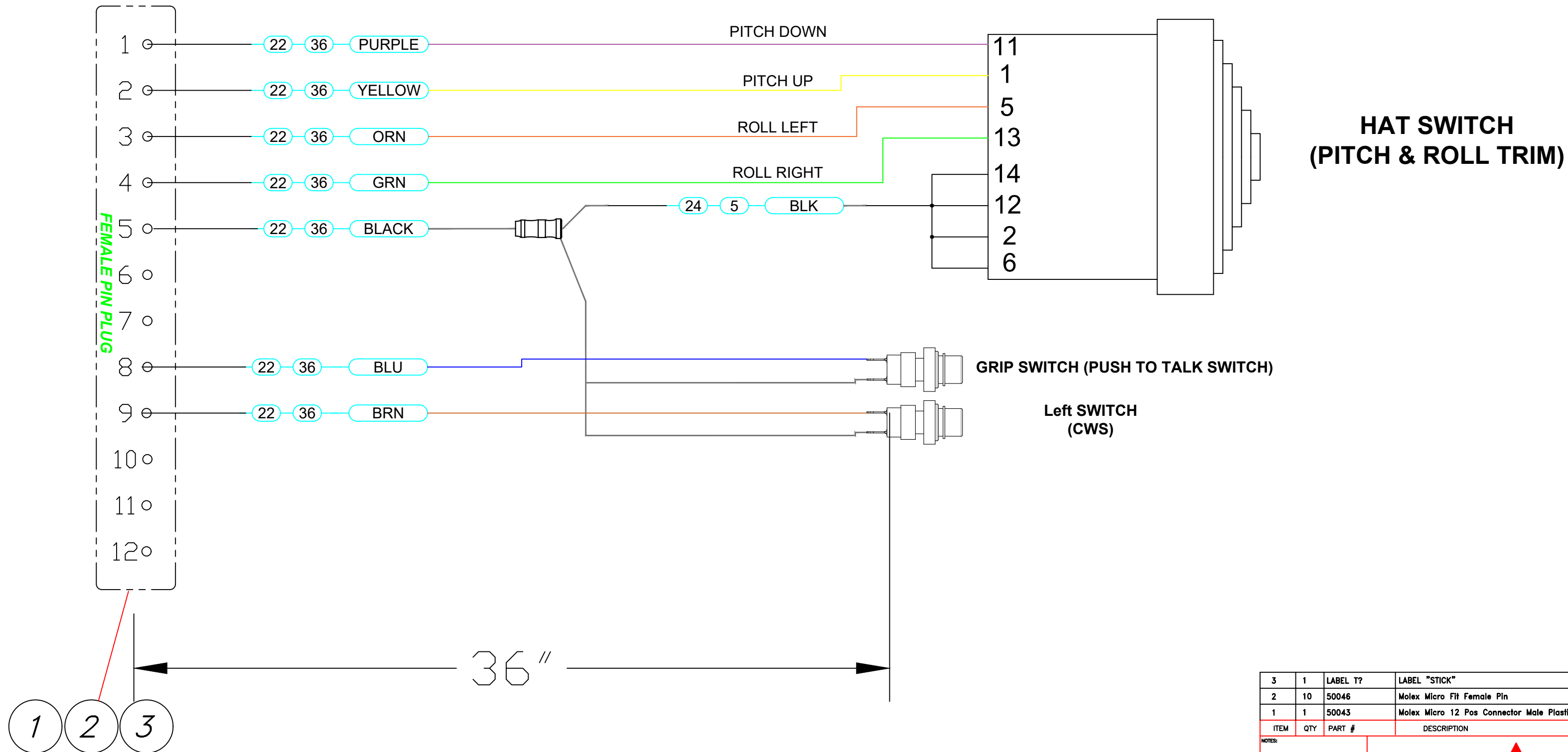


Control Stick Harness

BH6/7



3	1	LABEL T?	LABEL "STICK"
2	10	50046	Molex Micro Fit Female Pin
1	1	50043	Molex Micro 12 Pos Connector Male Plastic
ITEM	QTY	PART #	DESCRIPTION

ADVANCED FLIGHT SYSTEMS INC.

PHONE: (503) 263-0037 FAX: (503) 263-1138
320 REDWOOD ST
CANBY, OR 97013

DATE 8/28/19 SCALE NONE
DRN: RJH APPR: RJH

1	8/28/19	Initial Drawing	RJH
REV	DATE	DESCRIPTION	REV BY

This drawing is the property of Advanced Flight Systems Inc. and contains confidential information. It is not to be copied, reproduced or used without written approval.

TITLE Sportsman Wide Style Control Stick Harness P/N 58214-007 REV. 1