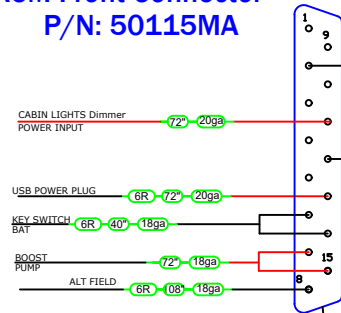


**ACM Front Connector**  
P/N: 50115MA

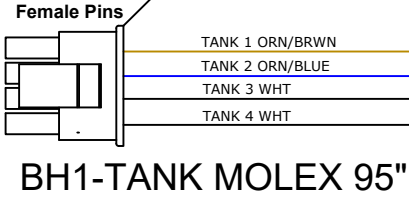


**XFR PUMPS 95"**

1 5 6 7

13 14

SV-EMS-220 <<



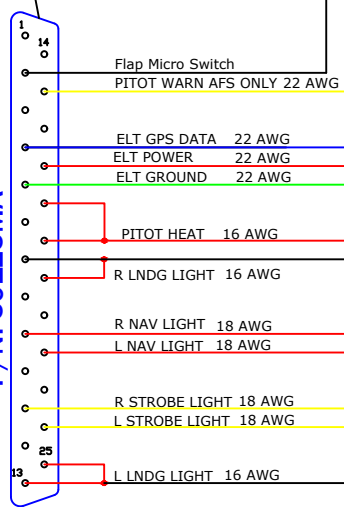
FLAP HANDLE SWITCH  
AFS ONLY PFD INPUT 3

FLAP SWITCH-120" ROUTE WITH BH1 SNAKE SKIN

**BH1 MALE CONNECTOR**  
FEMALE PINS

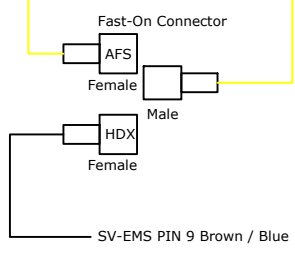
1 2 3 4

**ACM Rear Connector**  
P/N: 50125MA



BH1 Located Under Seats

9 10 11 12

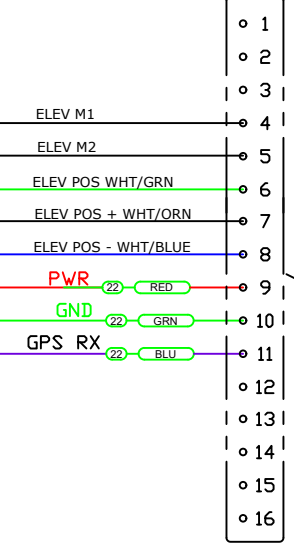
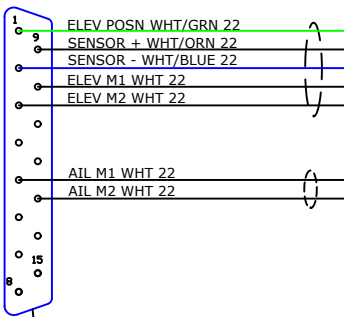


SV-EMS PIN 9 Brown / Blue

**BH4 MALE CONNECTOR**  
FEMALE PINS  
BH4 Located Under Seats

**BH-MODULE 95"**  
DASHED LINE-SNAKE SKIN

**ACM Flap-Trim Connector**  
P/N: 50115MA



9 10 11 12

ITEM	QTY	PART NUMBER	DESCRIPTION
14	4	50046	Molex Micro Fit Female Socket Pins
13	1	50041	4 Pin Molex RCPT Female Pin Connector
12	12	50061F	CPC Female Pin (20-24ga)
11	12	50060F	CPC Female Pin (16-18ga)
10	2	50070M	CPC Male Housing - Female Pins
9	2	50065	CPC Backshell With Clamp
8	1	LABEL T5	LABEL "FLAP TRIM"
7	1	LABEL T5	LABEL "AIRCRAFT FRONT"
6	2	50115SN	15 Pin Shell Narrow
5	2	50115M	15 Pin Male DSUB
4	1	LABEL T5	LABEL "AIRCRAFT REAR"
3	1	50125SN	25 Pin Shell Narrow
2	1	50125M	25 Pin Male DSUB
1	31	50100M	DSUB Male Pin

NOTES:  
This drawing is the property of Advanced Flight Systems Inc. and contains confidential information. It is not to be copied, reproduced or used without written approval.

**ADVANCED FLIGHT SYSTEMS INC.**  
PHONE: (503) 263-0037 FAX: (503) 263-1138  
320 REDWOOD ST  
CANBY, OR 97013

REV	DATE	DESCRIPTION	REV BY
3	1/2/20	UPDATED LENGTHS	JRH
2	3/21/19	Added Input wiring	RJH
1	10/20/14	Initial Drawing	RJH

DATE	SCALE	TITLE	P/N	REV.
10/20/14	NONE	WIRING DIAGRAM BH1, BH4 - SPORTSMAN	57849	B 7