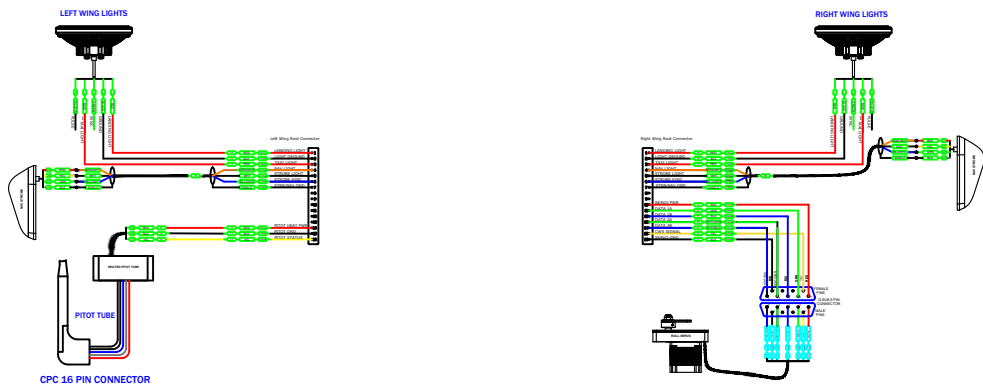
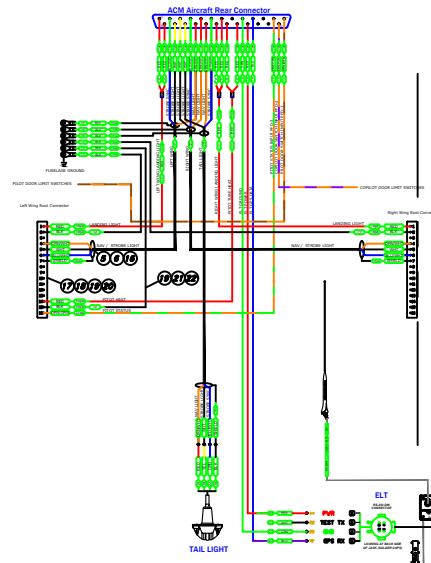


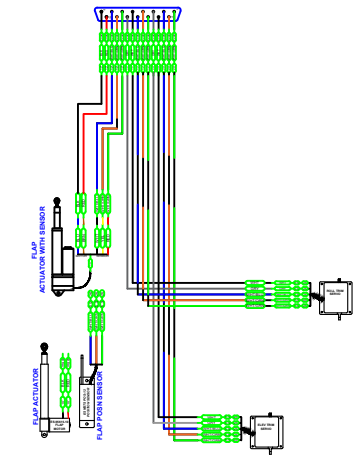
RV-7 WING Harness



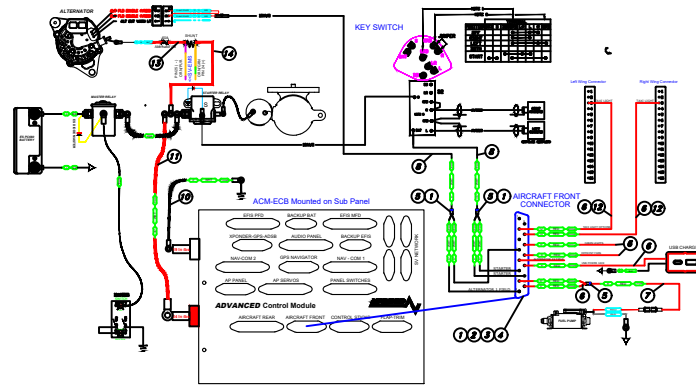
RV-7 Aircraft Rear Harness



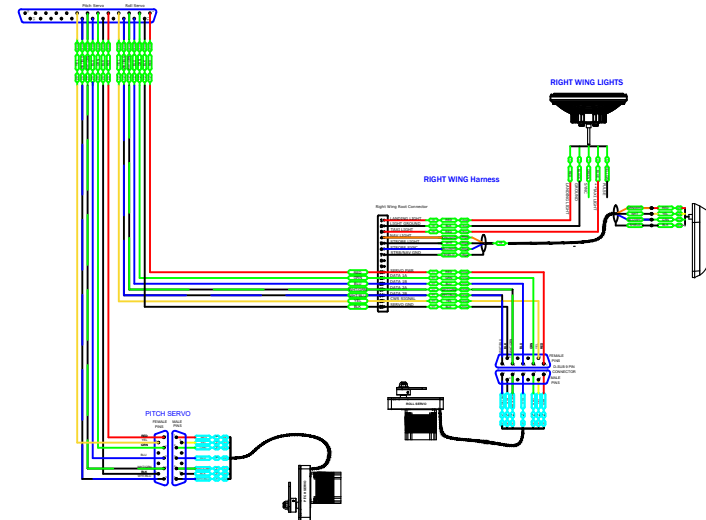
RV-7 Flap & Trim Harness



RV-7 FRONT Harness



RV-7 AP Servo Harness



ITEM	QTY	PART #	DESCRIPTION
5	1	57840-RV7	AIRCRAFT FRONT HARNESS
4	1	57475-RV7	AUTOPILOT SERVO HARNESS
3	1	57870-RV7	FLAP & TRIM HARNESS
2	1	57850-RV7	AIRCRAFT REAR HARNESS
1	1	57890-RV7	WING HARNESS RV-7

NOTES:

DATE 2/19/24 SCALE NONE  
 DRN: RJH APPR: RJH

**ADVANCED**  
 PHONE: (503) 263-0037 FAX: (503) 263-1138  
 320 REDWOOD ST  
 CANBY, OR 97013

This drawing is the property of Advanced Flight Systems Inc. and contains confidential information. It is not to be copied, reproduced or used without written approval.

TITLE RV-7 Airframe Harness P/N 57907 REV. 1

REV	DATE	DESCRIPTION	REV BY