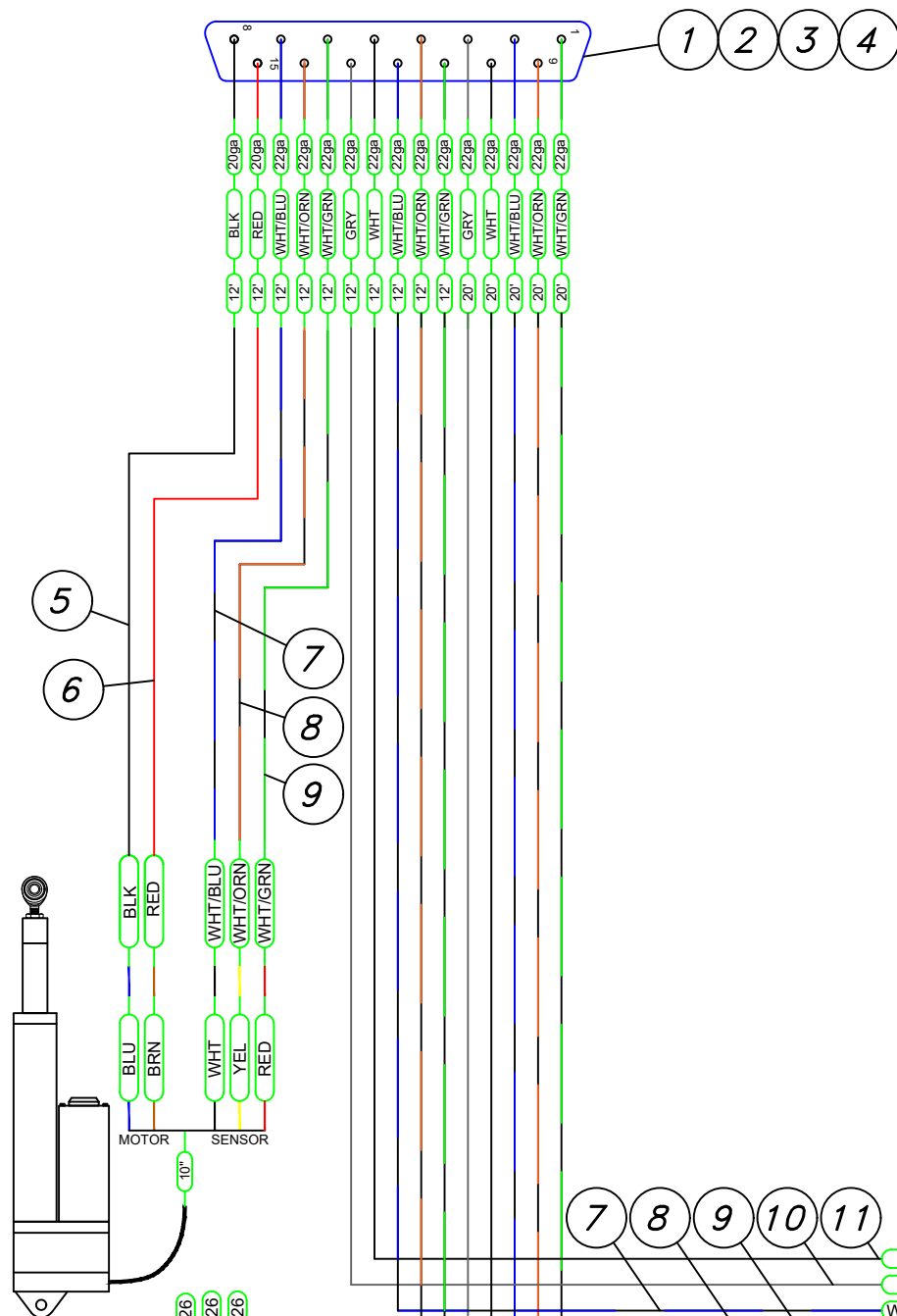
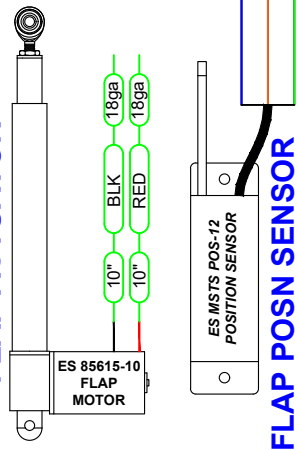


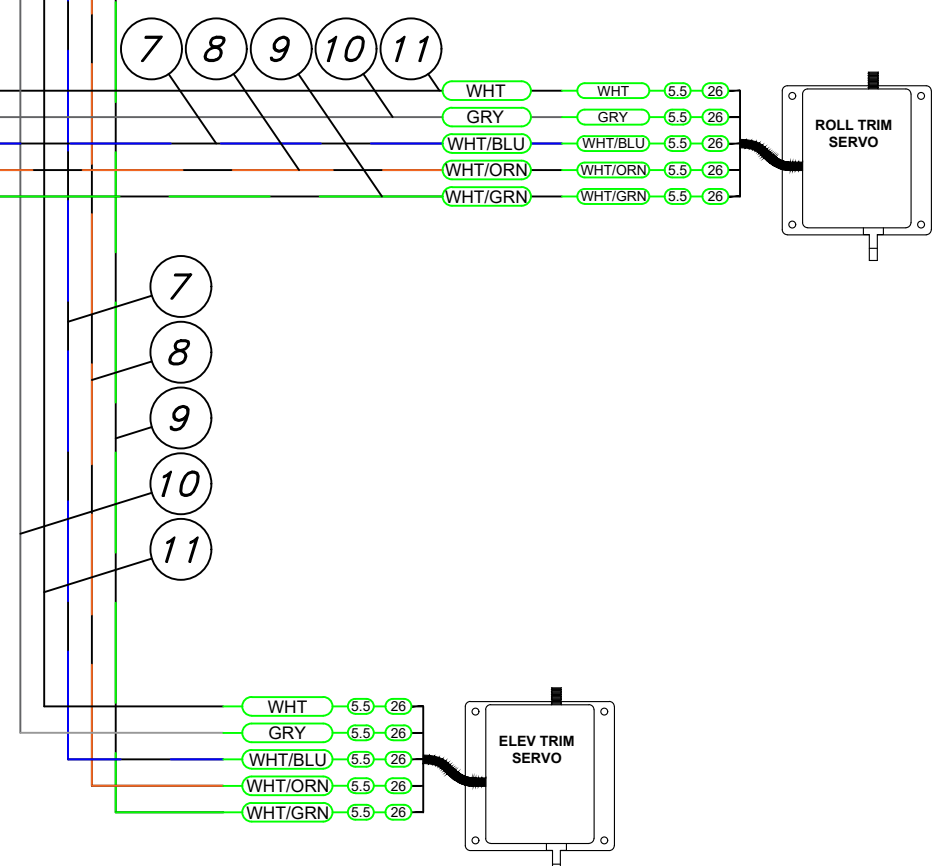
FLAP ACTUATOR WITH SENSOR



FLAP ACTUATOR



FLAP POSN SENSOR



11	32ft	50511-9	M22759/16-22-9 TFZL 22ga WHT
10	32ft	50511-8	M22759/16-22-8 TFZL 22ga GRY
9	44ft	50511-95	M22759/16-22-95 TFZL 22ga WHT/GRN
8	44ft	50511-93	M22759/16-22-93 TFZL 22ga WHT/ORN
7	44ft	50511-96	M22759/16-22-96 TFZL 22ga WHT/BLU
6	12ft	50512-2	M22759/16-20-2 TEFZEL WIRE 20ga Red
5	12ft	50512-0	M22759/16-20-0 TEFZEL WIRE 20ga Black
4	1	LABEL T5	LABEL "FLAP & TRIM"
3	1	50115S	15 Pin Shell
2	1	50115M	15 Pin Male DSUB
1	15	50100M	DSUB Male Pin
ITEM	QTY	PART #	DESCRIPTION

NOTES:
 DATE 2/19/24 SCALE NONE
 DRN: RJH APPR: RJH
 This drawing is the property of Advanced Flight Systems Inc. and contains confidential information. It is not to be copied, reproduced or used without written approval.

ADVANCED
 PHONE: (503) 263-0037 FAX: (503) 263-1138
 320 REDWOOD ST
 CANBY, OR 97013

REV	DATE	DESCRIPTION	REV BY

TITLE RV-7
 FLAP AND TRIM HARNESS P/N 57870-RV7 1