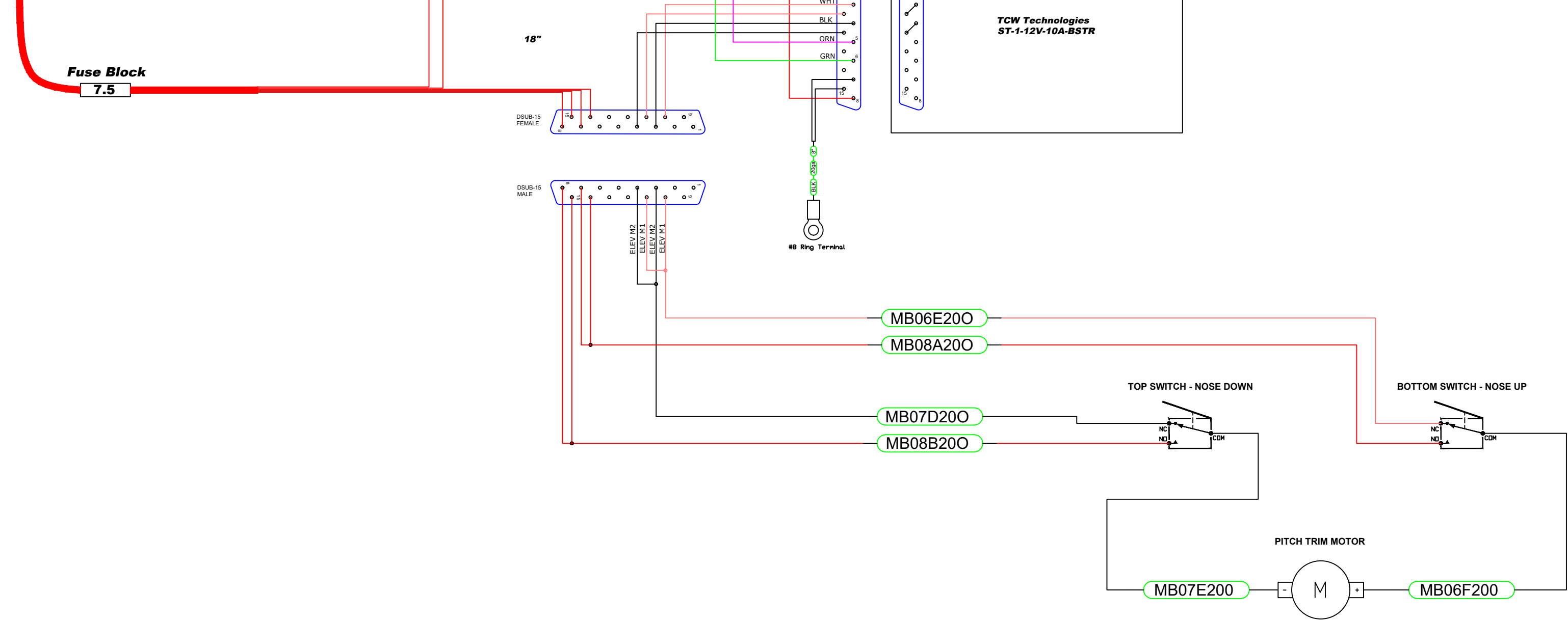
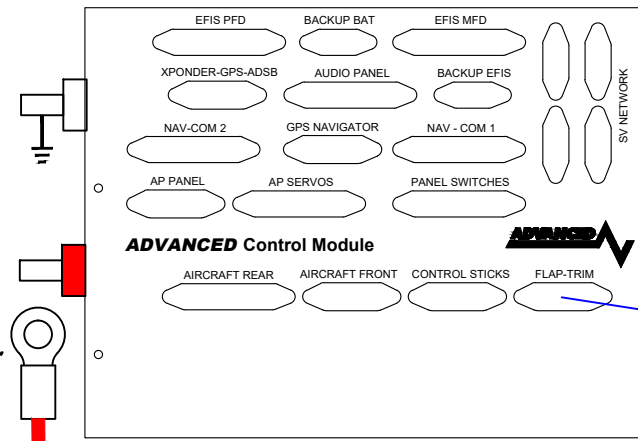


ACM Mounted on Sub Panel



CAUTION

Limit current from each pin to 5 amps max

ITEM	QTY	PART #	DESCRIPTION
NOTES:			
PHONE: (503) 263-0037 FAX: (503) 263-1138 320 REDWOOD ST CANBY, OR 97013			
DATE	10/27/20	SCALE	NONE
DRN	RJH	APPV	RJH
This drawing is the property of Advanced Flight Systems Inc. and contains confidential information. It is not to be copied, reproduced or used without written approval.			
REV	DATE	DESCRIPTION	REV BY
1	10/27/20	Initial Drawing	RJH
TITLE		Carbon Cub	P/N
TCW Trim Booster Harness		57876	B 1

REV	DATE	DESCRIPTION	REV BY
1	10/27/20	Initial Drawing	RJH