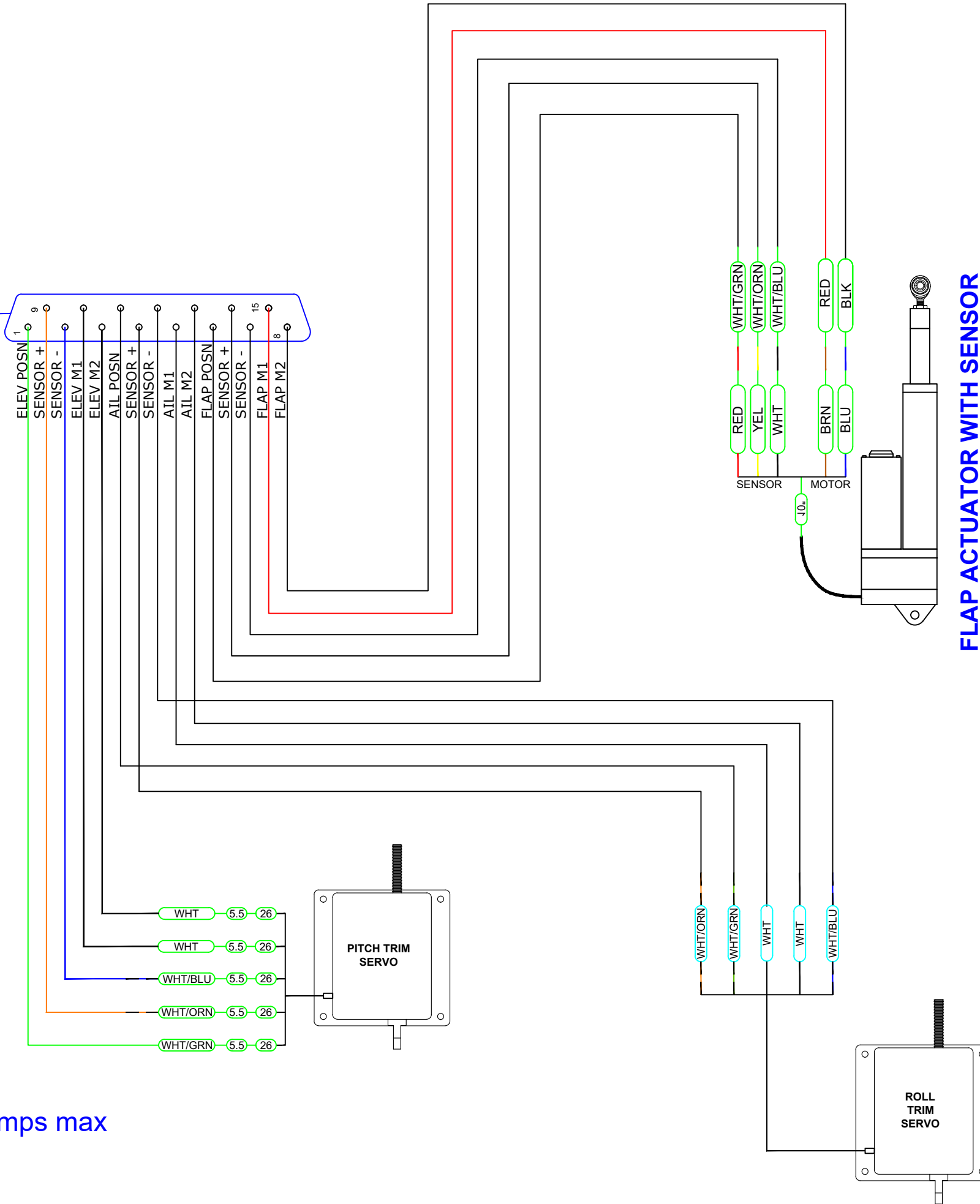
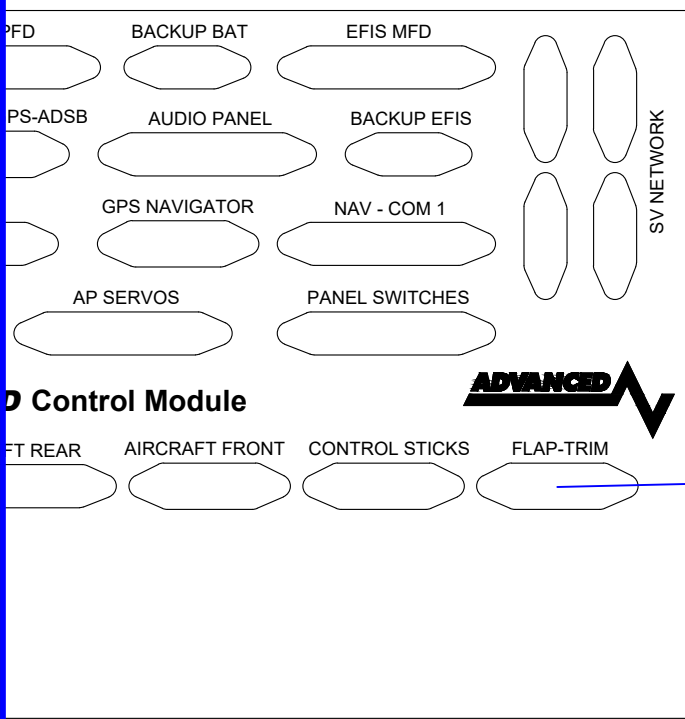
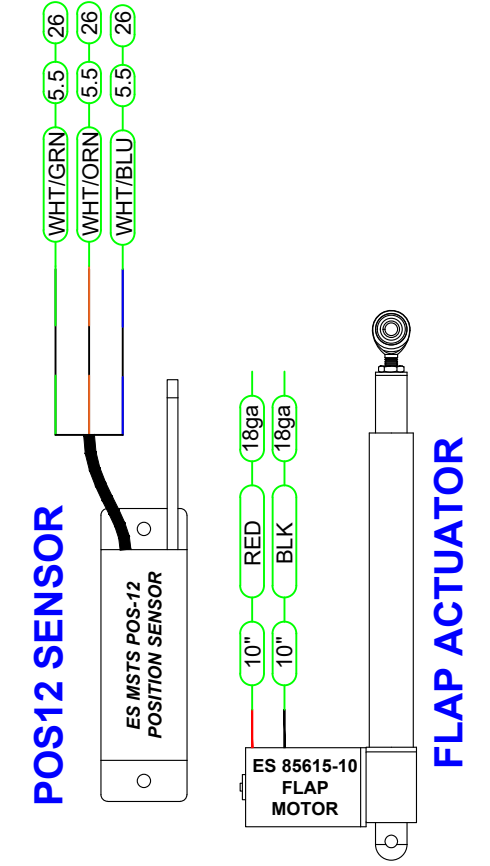


ACM Mounted on Sub Panel



**CAUTION**  
Limit current from each pin to 5 amps max



REV	DATE	DESCRIPTION	REV BY
4	2/7/24	NEW FLAP MOTOR	RJH
1	10/20/14	Initial Drawing	RJH

ITEM	QTY	PART #	DESCRIPTION
NOTES:			
DATE 2/6/15		SCALE NONE	
DRN: RJH		APPV: RJH	
This drawing is the property of Advanced Flight Systems Inc. and contains confidential information. It is not to be copied, reproduced or used without written approval.			
<b>ADVANCED FLIGHT SYSTEMS INC.</b> PHONE: (503) 263-0037 FAX: (503) 263-1138 320 REDWOOD ST CANBY, OR 97013			TITLE <b>WIRING DIAGRAM</b> Flap and Trim Harness
P/N 57870			REV. B 4