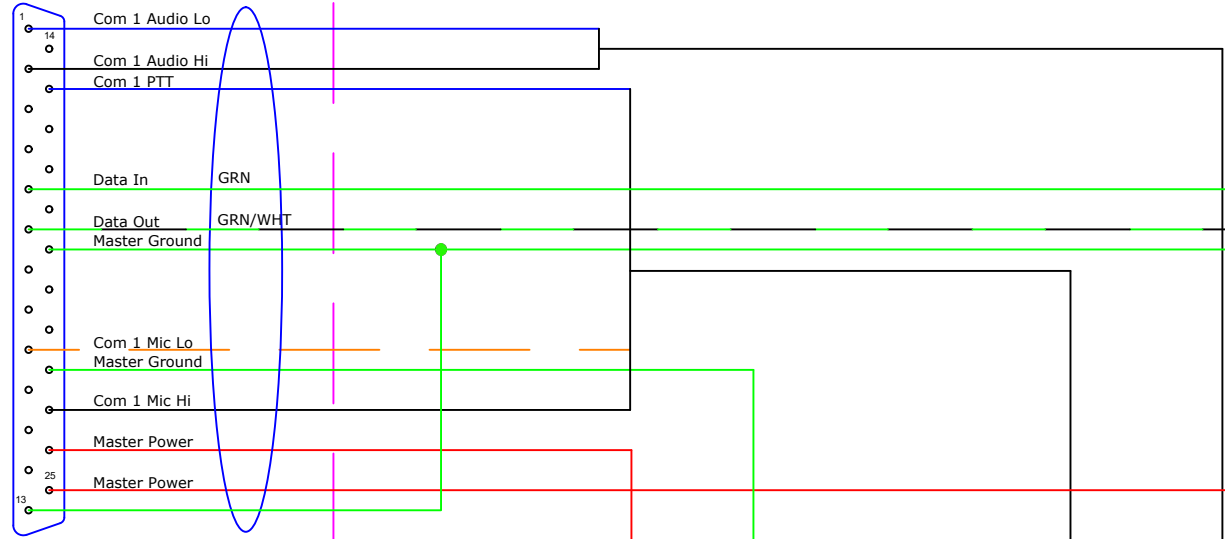


NOTE: Dynon Trig Radio

COM 1 RADIO (REMOTE)

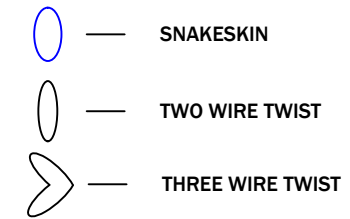
COM 425 MODULE MAIN HARNESS
DSUB-25
CONNECTOR - 50,115F
BACKSHELL - 50,115S
PINS - 50,100F



CONSTRUCTION NOTES

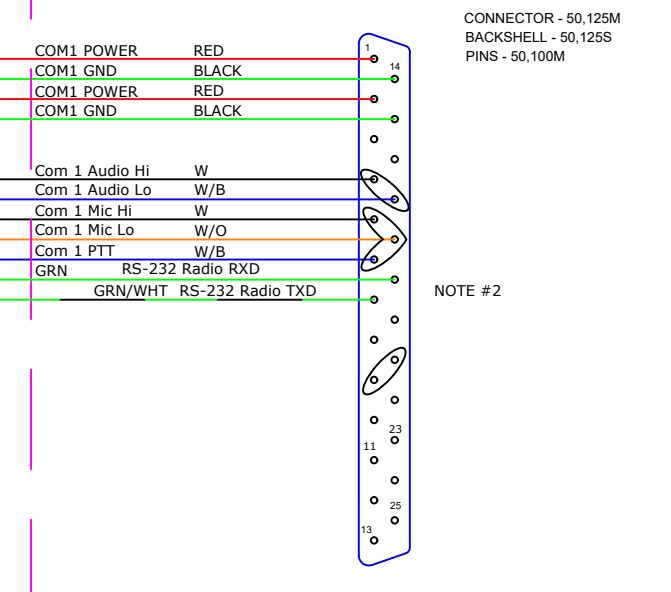
1. ALL WIRES SHALL BE 22 AWG TEFLON COATED
2. TWISTED WIRES SHALL HAVE 8-10 TWIST'S PER INCH
3. HEATSHRINK SHALL BE USED TO TERMINATE THE SNAKESKIN AT THE BASE OF EACH DSUB CONNECTOR

SYMBOL KEY



AFS Control Module

NAV/COM #2 DSUB-25



**LENGTHS
(INCHES)**

TYPE	ACM/ REMOTE	
7	30	
8	31	
10	45	
14	59	
SPORT	28	

CONNECTOR - 50,125M
BACKSHELL - 50,125S
PINS - 50,100M

NOTE #2

ITEM	QTY	PART #	DESCRIPTION
NOTES:			
<p>ADVANCED FLIGHT SYSTEMS INC. PHONE: (503) 263-0037 FAX: (503) 263-1138 320 REDWOOD ST CANBY, OR 97013</p>			
DATE	6/1/20	SCALE	NONE
DRN	XX	APPV	RJH
<p>This drawing is the property of Advanced Flight Systems Inc. and contains confidential information. It is not to be copied, reproduced or used without written approval.</p>			
TITLE	ACM to Dynon Headless Radio (Trig)	P/N	57692
REV	4	REV BY	A

REV	DATE	DESCRIPTION	REV BY
4	1/10/20	Swapped TXD and RXD	RJH