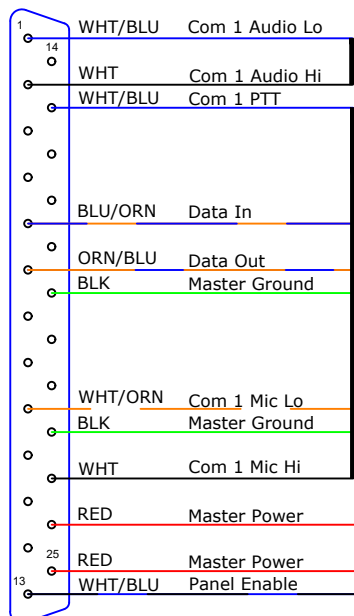


COM 1 RADIO (REMOTE)

COM 425 MODULE MAIN HARNESS
DSUB-25

CONNECTOR - 50,115F
BACKSHELL - 50,115S
PINS - 50,100F



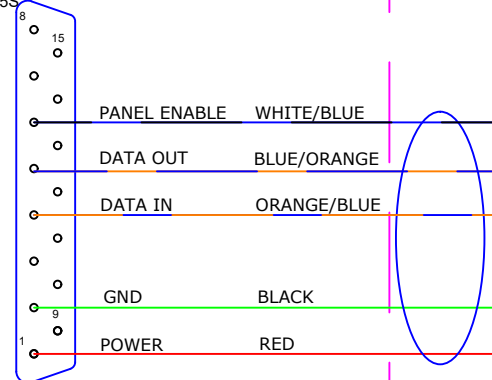
AUDIO (2 Cond Shielded)

MIC (3 Cond Shielded)

COM 1 RADIO (PANEL)

COM 25 MODULE MAIN HARNESS
DSUB-15

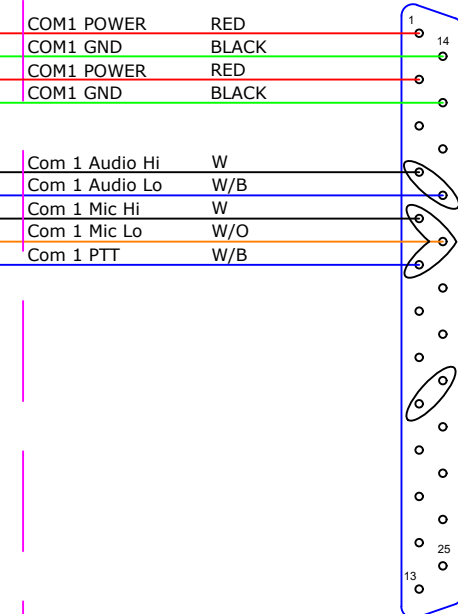
CONNECTOR - 50,115F
BACKSHELL - 50,115S
PINS - 50,100F



AFS Control Module

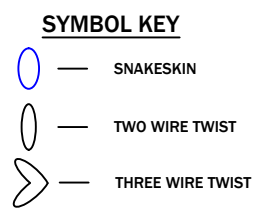
NAV/COM #1 DSUB-25

CONNECTOR - 50,125M
BACKSHELL - 50,125S
PINS - 50,100M



NOTE #2

- CONSTRUCTION NOTES**
1. ALL WIRES SHALL BE 22 AWG TEFLON COATED
 2. TWISTED WIRES SHALL HAVE 8-10 TWIST'S PER INCH
 3. HEATSHRINK SHALL BE USED TO TERMINATE THE SNAKESKIN AT THE BASE OF EACH DSUB CONNECTOR



LENGTHS (INCHES)		
TYPE	ACM/ REMOTE	REMOTE/ PANEL
7	30	24
8	31	20
10	45	34
14	59	38
SPORT	28	33

REV	DATE	DESCRIPTION	REV BY
1	6/07/19	Initial Drawing (PRE-EXISTING DRAWING DRAWN INTO CAD)	SR

ITEM	QTY	PART #	DESCRIPTION
NOTES:			
<p>ADVANCED FLIGHT SYSTEMS INC.</p> <p>PHONE: (503) 263-0037 FAX: (503) 263-1138 320 REDWOOD ST CANBY, OR 97013</p>			
DATE	6/07/19	SCALE	NONE
DRN	XX	APPV	RJH
<p>This drawing is the property of Advanced Flight Systems Inc. and contains confidential information. It is not to be copied, reproduced or used without written approval.</p>			
TITLE NAV/COM #1 HARNESS 8.33 KHz SPACING			P/N 57690 A 2