

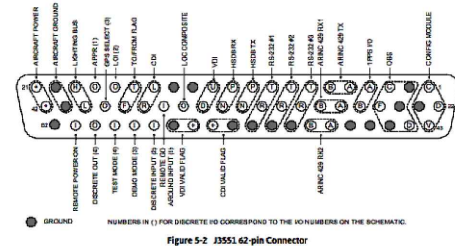
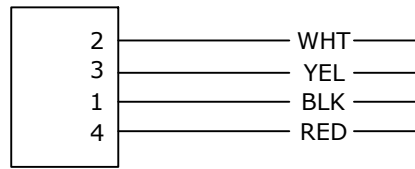
CONSTRUCTION NOTES

1. ALL WIRES SHALL BE 22 AWG TEFZEL COATED
2. TWISTED WIRES SHALL HAVE 8-10 TWIST'S PER INCH
3. HEATSHRINK SHALL BE USED TO TERMINATE THE SNAKESKIN AT THE BASE OF EACH DSUB CONNECTOR

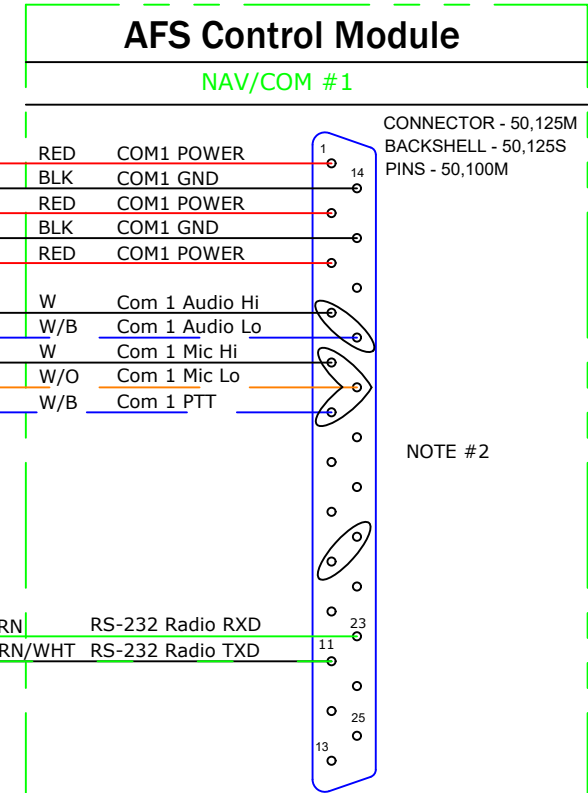
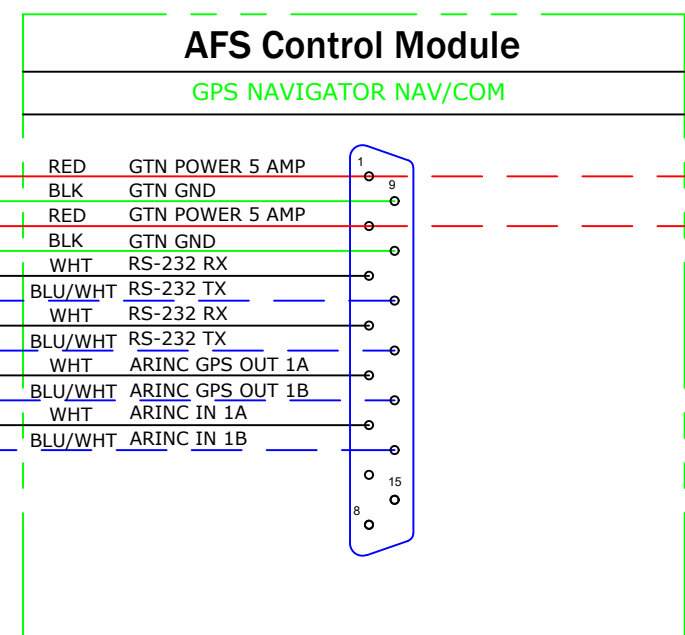
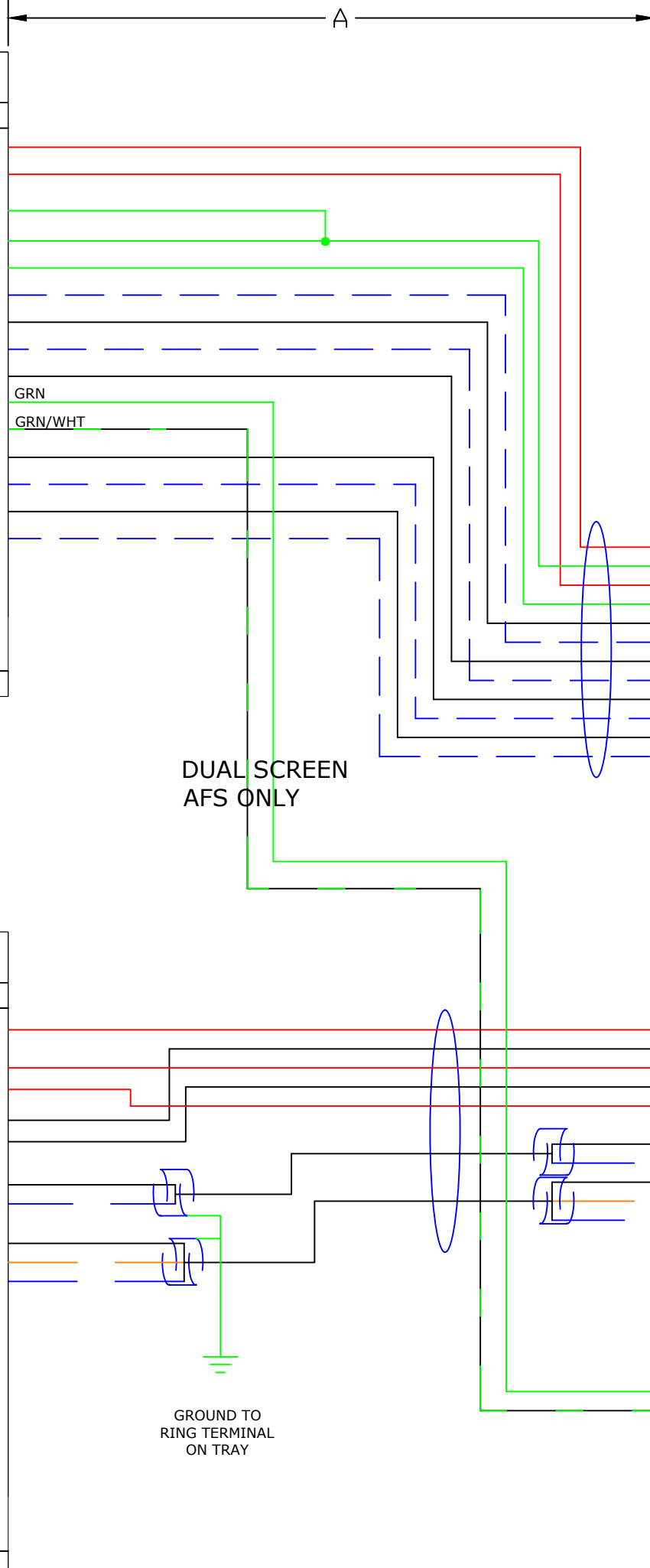
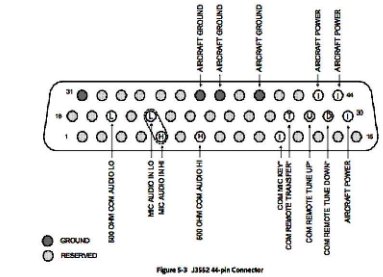
SYMBOL KEY

- SNAKESKIN
- TWO WIRE TWIST
- THREE WIRE TWIST

GNC-355A	
J1751	
AIRCRAFT POWER	21
AIRCRAFT POWER	42
REMOTE POWER ON	61
AIRCRAFT GROUND	20
AIRCRAFT GROUND	41
RS-232 IN 1	31
RS-232 OUT 1	9
RS-232 IN 2	30
RS-232 OUT 2	8
RS-232 IN 3	29
RS-232 OUT 3	7
ARINC 429 OUT 1A	5
ARINC 429 OUT 1B	6
ARINC 429 IN 1A	27
ARINC 429 IN 1B	28
CONFIG MODULE CLOCK	1
CONFIG MODULE DATA	22
CONFIG MODULE GND	23
CONFIG MODULE POWER	43



GNC-355	
J3552	
AIRCRAFT POWER	30
AIRCRAFT POWER	43
AIRCRAFT POWER	44
AIRCRAFT GROUND	37
AIRCRAFT GROUND	38
COM AUDIO HI	7
COM AUDIO LO	18
MIC AUDIO HI	5
MIC AUDIO LO	20
COM MIC KEY	11



LENGTHS	
	A
RV-7	25"
RV-8	28"
RV-10	39"
RV-10 AEROSPORT	40"
RV-14	29"

REV	DATE	DESCRIPTION	REV BY
1	10/1/19	Original Drawing	SR

ITEM	QTY	PART #	DESCRIPTION
NOTES:			
PHONE: (503) 263-0037 FAX: (503) 263-1138 320 REDWOOD ST CANBY, OR 97013			
DATE	10/1/19	SCALE	NONE
DRN	SR	APPR.	--
This drawing is the property of Advanced Flight Systems Inc. and contains confidential information. It is not to be copied, reproduced or used without written approval.			
TITLE	GNC355 to ACM		P/N 57537
REV	B	2	