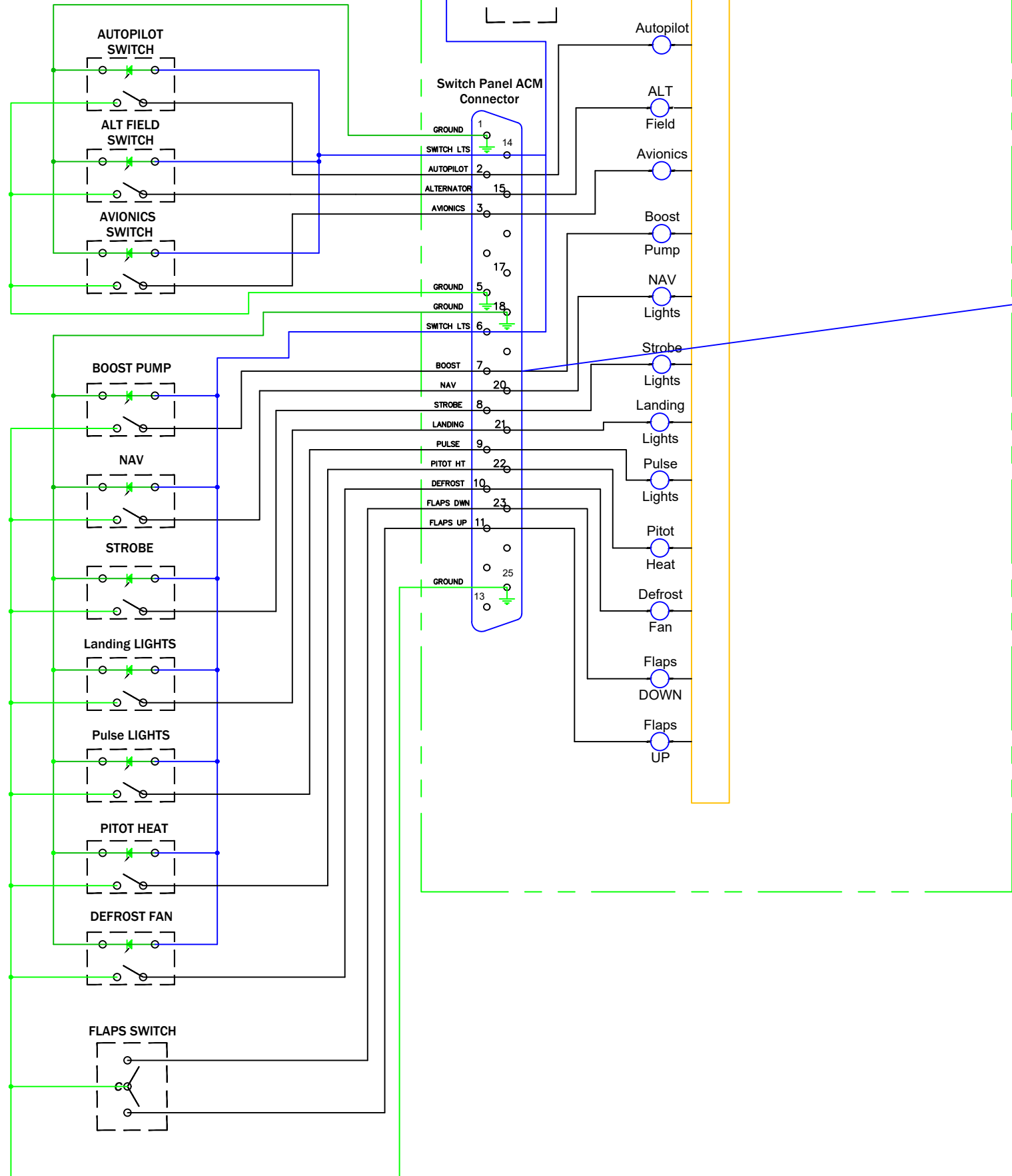
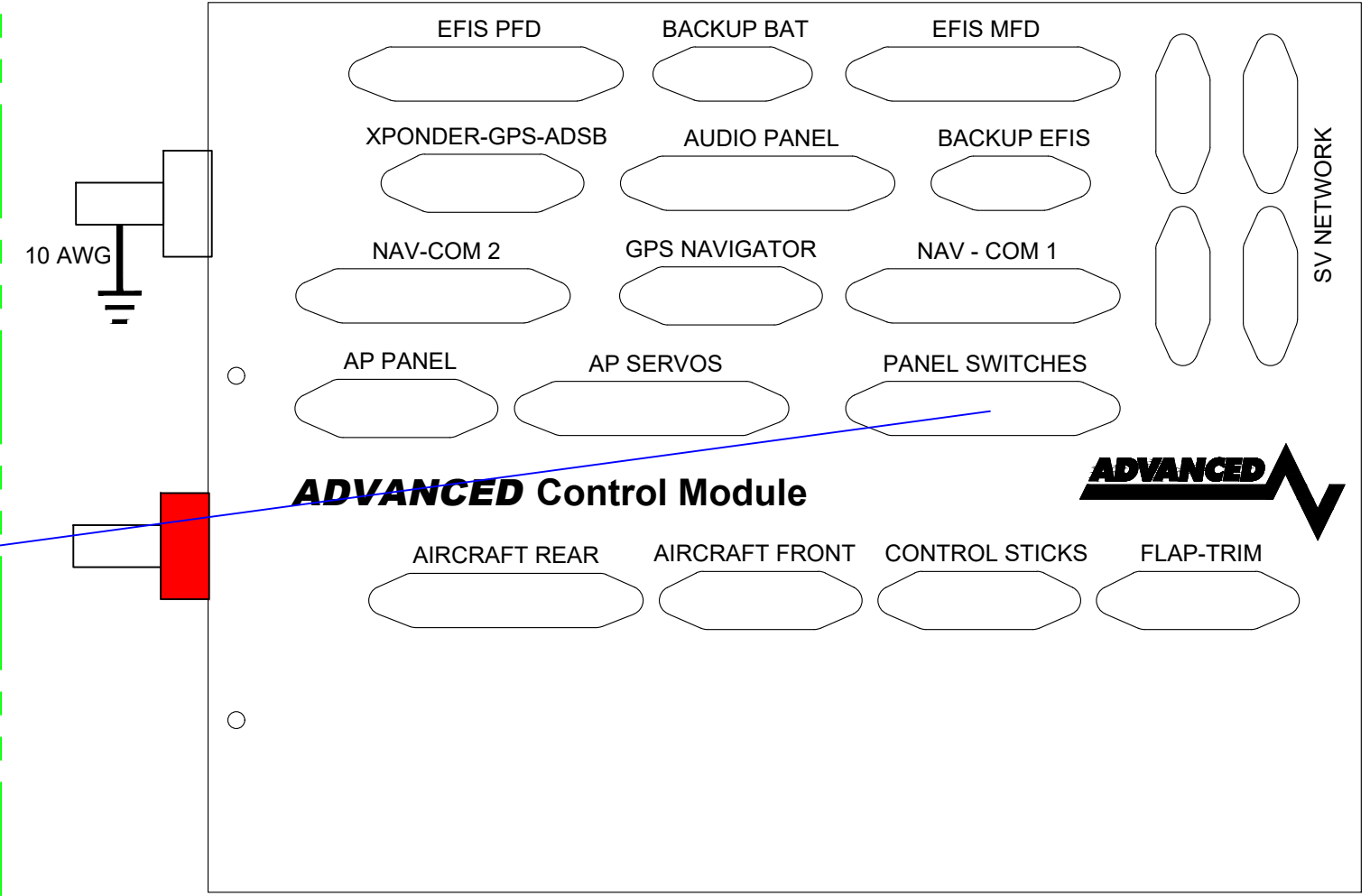


AFS Control Module

Switch Input Wiring



ACM Mounted on Sub Panel



ADVANCED Control Module



ITEM	QTY	PART #	DESCRIPTION
NOTES:			
PHONE: (503) 263-0037 FAX: (503) 263-1138 320 REDWOOD ST CANBY, OR 97013			
DATE 10/20/14 SCALE NONE DRN: RJH APPR: RJH			P/N 57,820
This drawing is the property of Advanced Flight Systems Inc. and contains confidential information. It is not to be copied, reproduced or used without written approval.			TITLE WIRING DIAGRAM ACM Switch Wiring
3	5/5/21	Removed P/N NPN for clarity	RJH
1	10/20/14	Initial Drawing	RJH
REV	DATE	DESCRIPTION	REV BY
			B