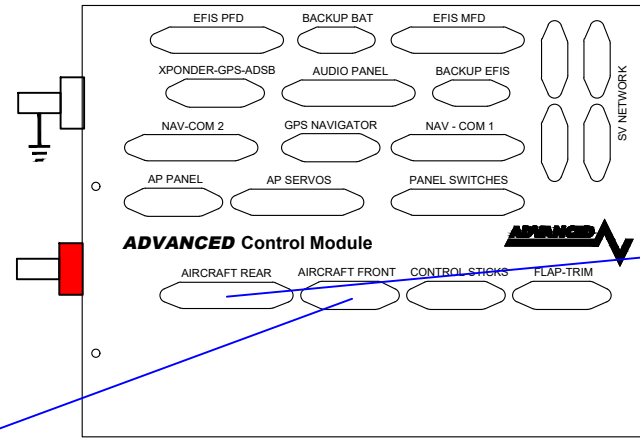
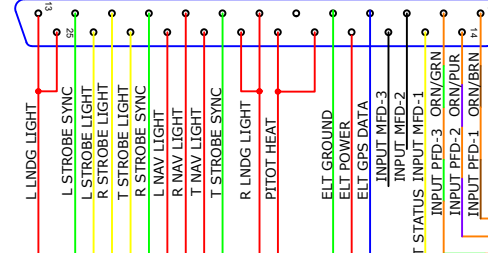


ACM Mounted on Sub Panel



Aircraft Rear Connector  
P/N: 50,125MA



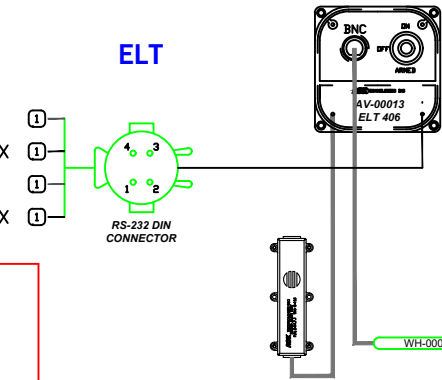
**CAUTION**

Limit current from each pin to 5 amps max

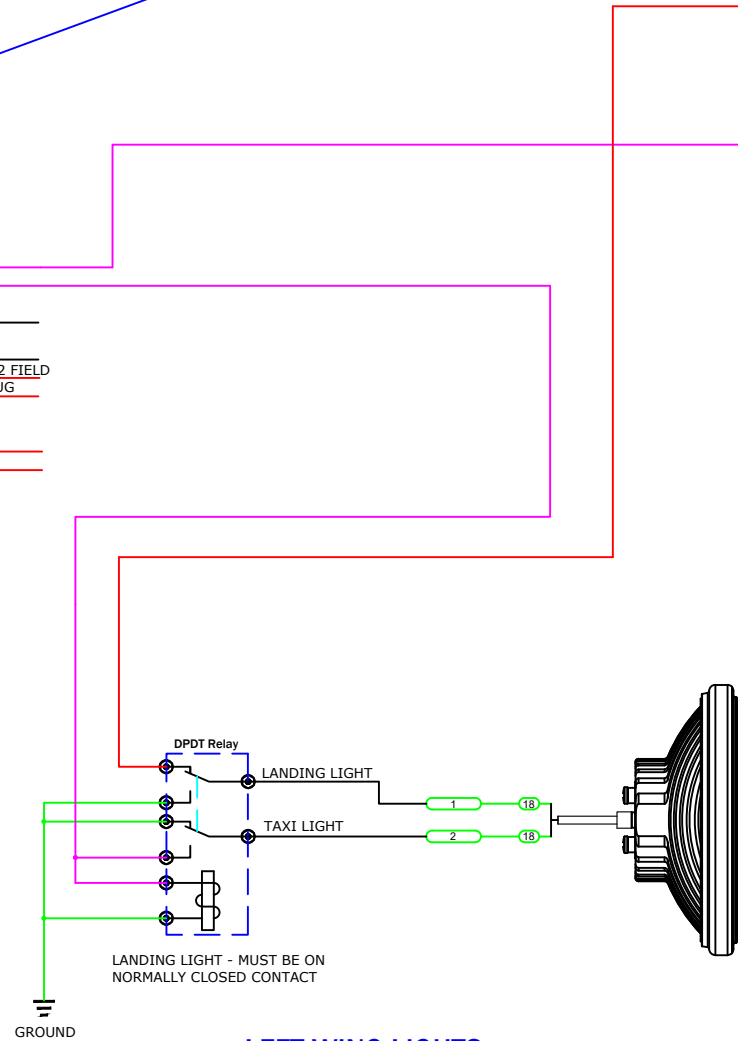
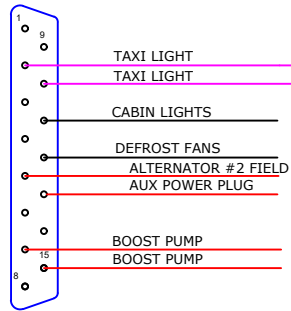
NOTE: PFD/MFD INPUTS FOR AFS ONLY

LEFT DOOR  
RIGHT DOOR  
REAR DOOR

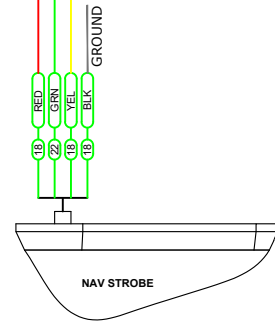
ELT



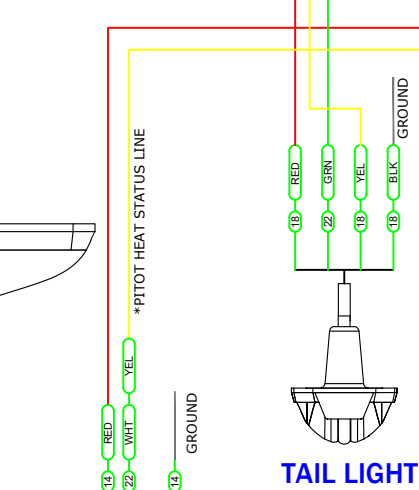
AIRCRAFT FRONT CONNECTOR



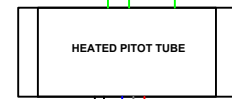
LEFT WING LIGHTS



NAV STROBE

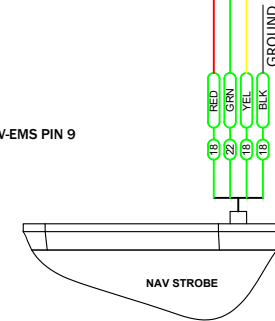


TAIL LIGHT



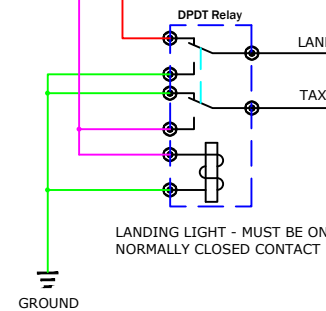
PITOT TUBE

\* PITOT STATUS LINE  
AF-5000 ONLY TO ACM  
SKYVIEW CONNECT TO SV-EMS PIN 9



NAV STROBE

RIGHT WING LIGHTS



LANDING LIGHT - MUST BE ON  
NORMALLY CLOSED CONTACT

ITEM	QTY	PART #	DESCRIPTION
NOTES:			
PHONE: (503) 263-0037 FAX: (503) 263-1138			
320 REDWOOD ST			
CANBY, OR 97013			
DATE	11/19/21	SCALE	NONE
DRN	RJH	APPV	RJH
This drawing is the property of Advanced Flight Systems Inc. and contains confidential information. It is not to be copied, reproduced or used without written approval.			
TITLE WIRING DIAGRAM Sunspot Equinox Light			P/N 57855
REV			B 1

REV	DATE	DESCRIPTION	REV BY
1	11/19/21	Initial Drawing	RJH