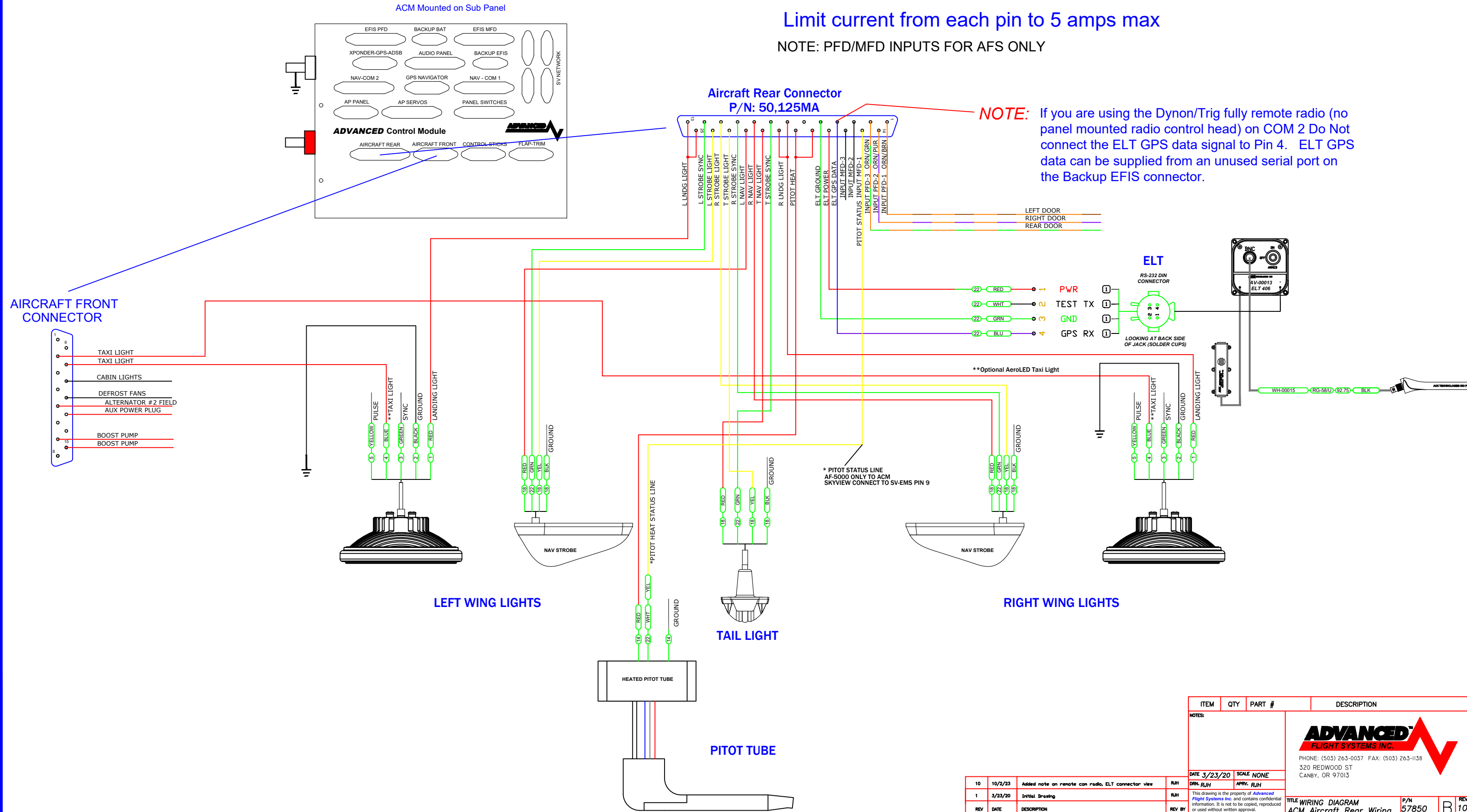


CAUTION

Limit current from each pin to 5 amps max

NOTE: PFD/MFD INPUTS FOR AFS ONLY

NOTE: If you are using the Dynon/Trig fully remote radio (no panel mounted radio control head) on COM 2 Do Not connect the ELT GPS data signal to Pin 4. ELT GPS data can be supplied from an unused serial port on the Backup EFIS connector.



ITEM	QTY	PART #	DESCRIPTION
NOTES:			
<p>ADVANCED FLIGHT SYSTEMS INC. PHONE: (503) 263-0037 FAX: (503) 263-1138 320 REDWOOD ST CANBY, OR 97013</p>			
DATE	3/23/20	SCALE	NONE
DRN	RJH	APPR	RJH
This drawing is the property of Advanced Flight Systems Inc. and contains confidential information. It is not to be copied, reproduced or used without written approval.			
TITLE			WIRING DIAGRAM
ACM Aircraft Rear Wiring			P/N 57850
REV			B 10

REV	DATE	DESCRIPTION	REV BY
10	10/2/23	Added note on remote con radio, ELT connector view	RJH
1	3/23/20	Initial Drawing	RJH