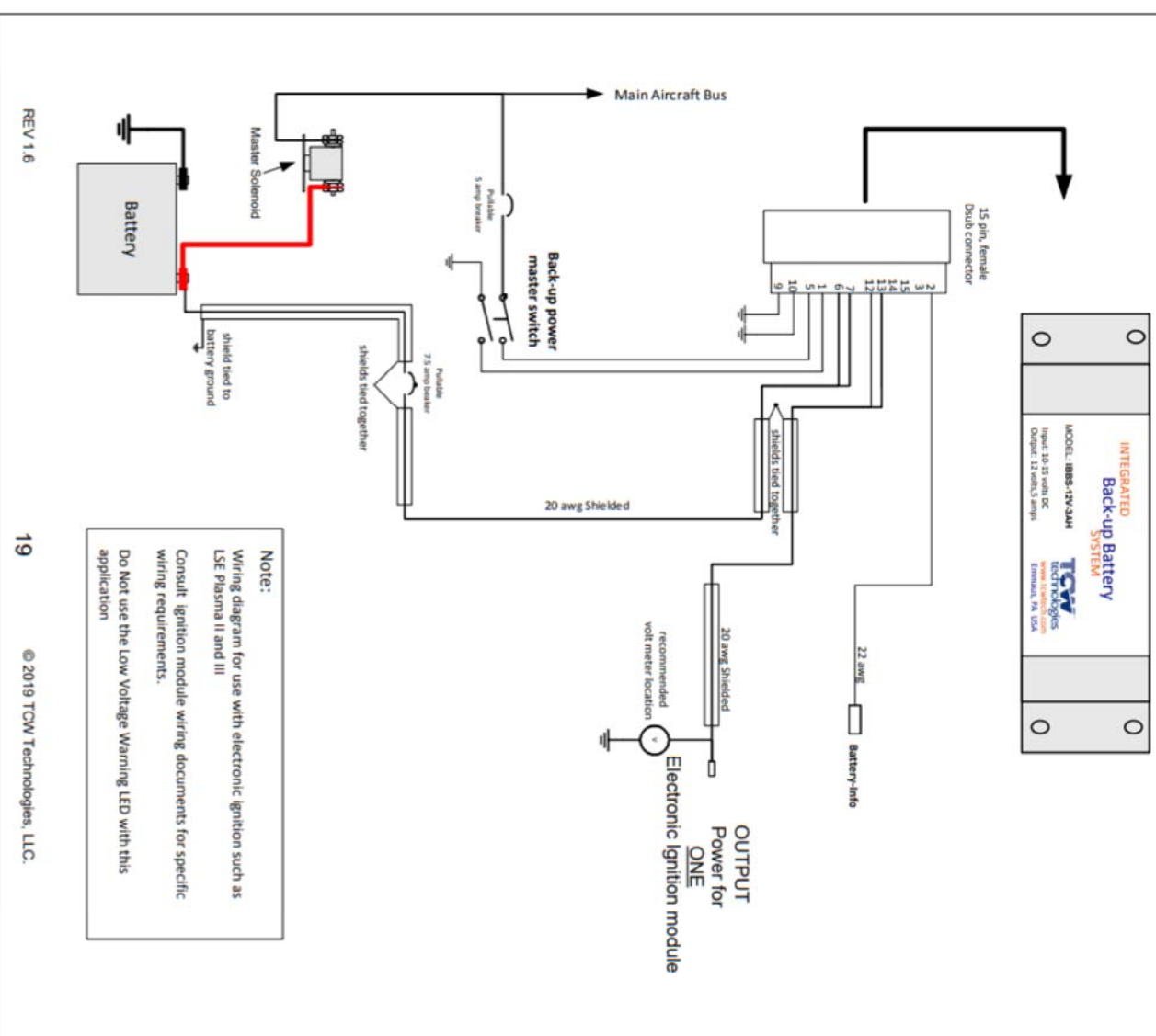


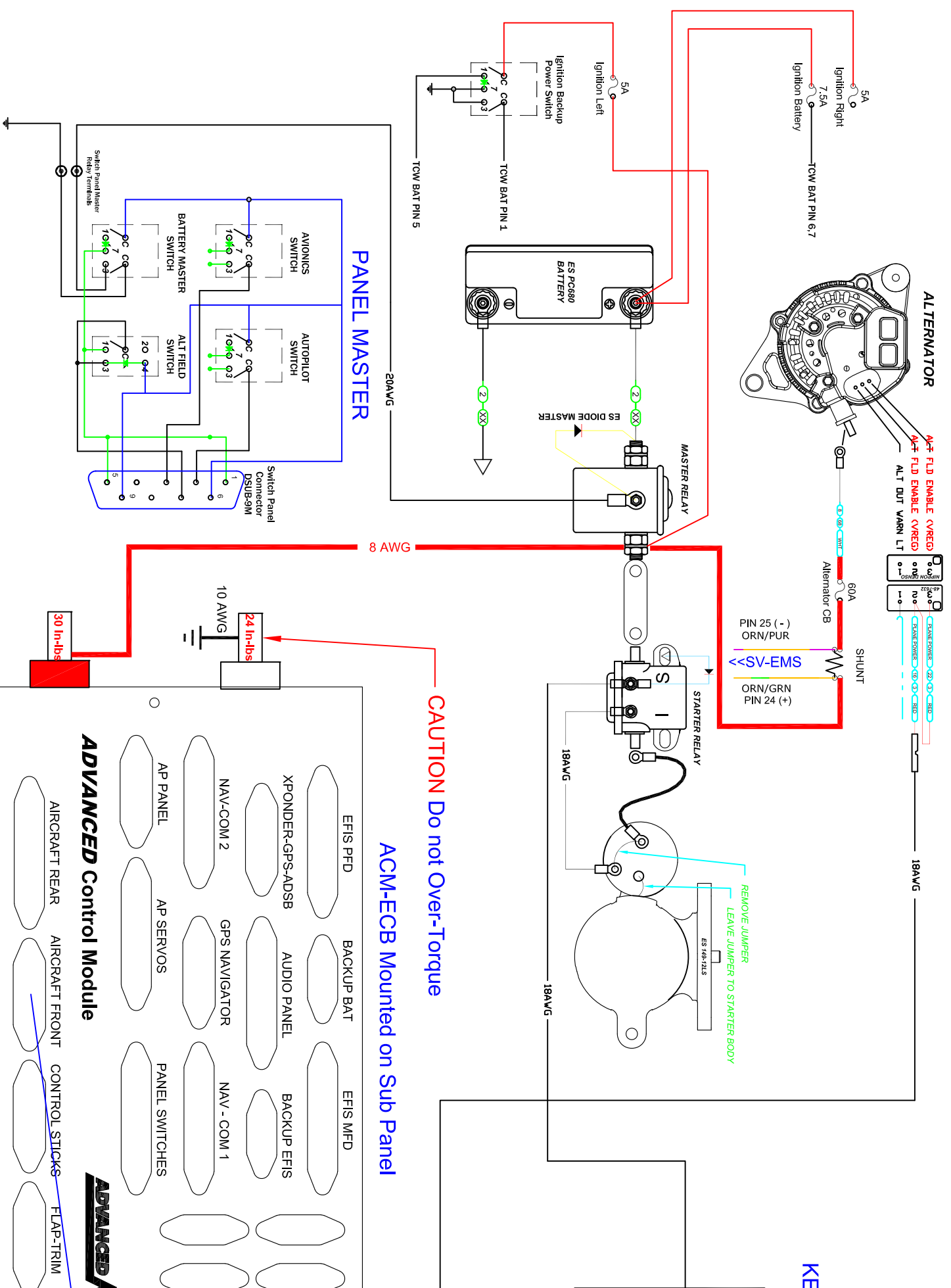
Wiring Diagram IBBS-12V-3ah

Back-up of ONE CDI in a single or dual CDI installation. Use with LSE Plasma II and III electronic ignition

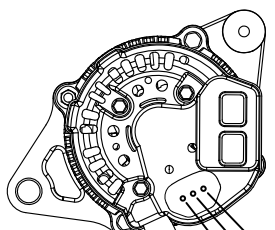


REV 1.6

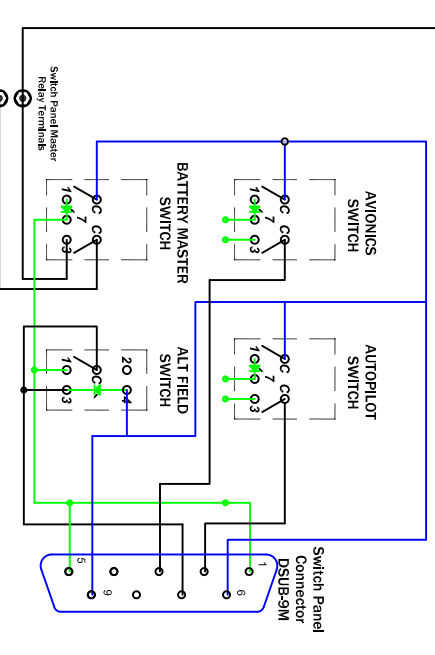
© 2019 TCW Technologies, LLC.



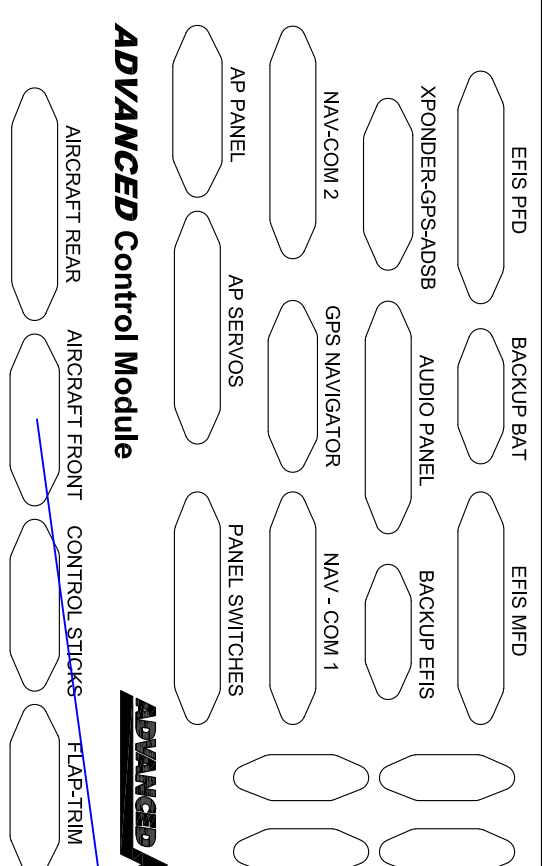
ALTERNATOR



PANEL MASTER



ACM-ECB Mounted on Sub Panel



CAUTION
Limit current from each pin to 5 amps max

REV	DATE	DESCRIPTION	REV	DATE	DESCRIPTION
1	3/31/21	Initial Drawing			

ITEM	QTY	PART #	DESCRIPTION
1	1	ACM	ACM Front Aircraft Harness 37840-LS

DATE	SCALE	APPROVAL
3/31/21	NONE	

ADVANCED FLIGHT SYSTEMS INC.
 PHONE: (603) 263-0037 FAX: (603) 263-4138
 320 REDWOOD ST
 CANBY, OR 97015