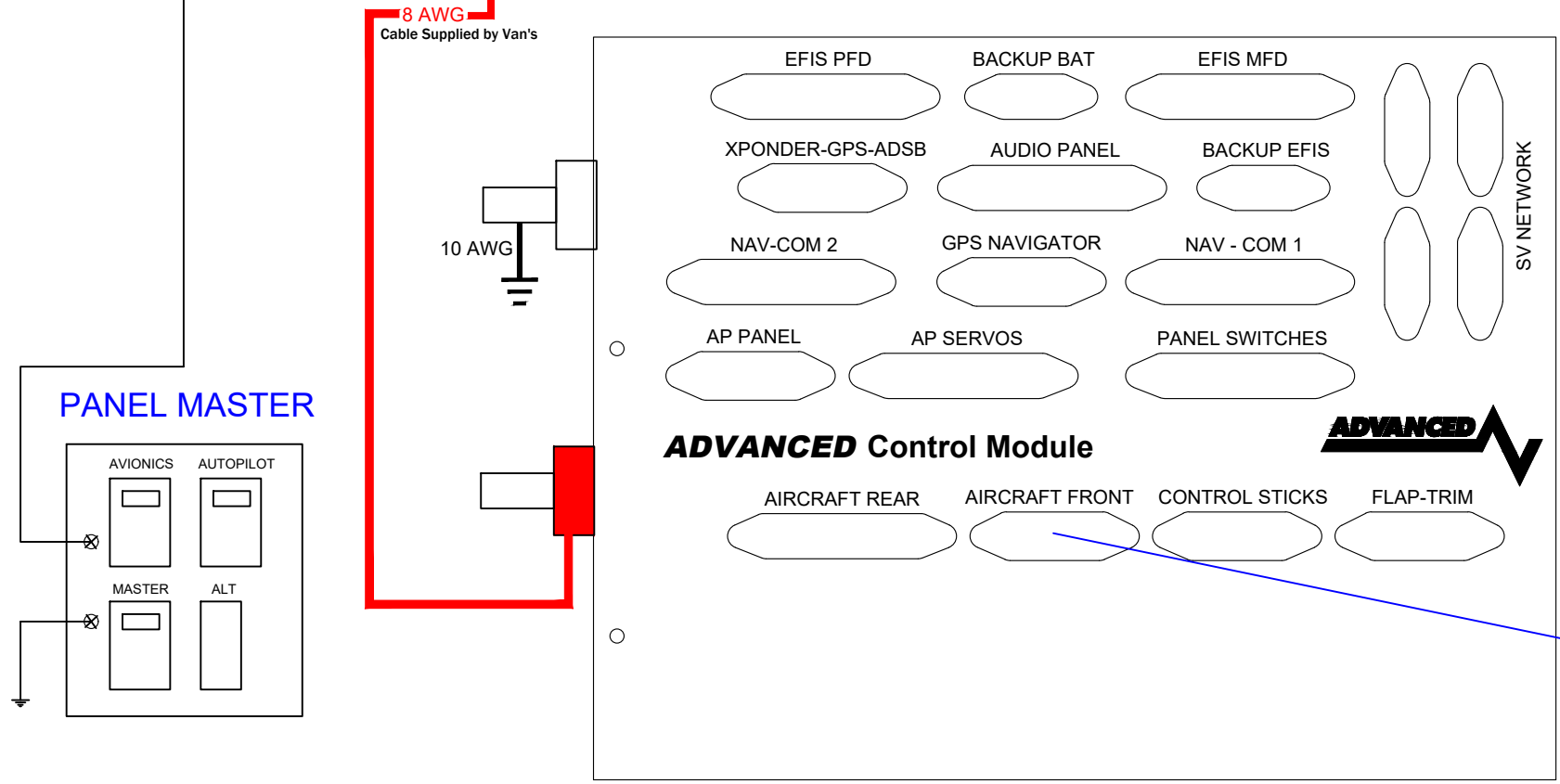
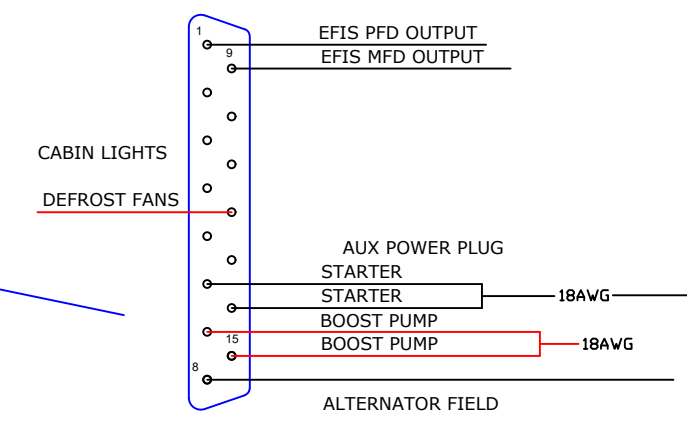


ACM Mounted on Sub Panel



AIRCRAFT FRONT CONNECTOR



1	1	73403	Circuit Breaker Switch 3 Amp
ITEM	QTY	PART #	DESCRIPTION

ADVANCED FLIGHT SYSTEMS INC.
 PHONE: (503) 263-0037 FAX: (503) 263-1138
 320 REDWOOD ST
 Canby, OR 97013

DATE 3/25/19 SCALE NONE
 DRN. RJH APRV. RJH

This drawing is the property of Advanced Flight Systems Inc. and contains confidential information. It is not to be copied, reproduced or used without written approval.

3	5/29/20	Updated Drawing	RJH
2	4/9/19	Added all Key Switch Wiring	RJH
REV	DATE	DESCRIPTION	REV BY

TITLE	P/N	REV.
EMAG + SLICK MAG WIRING	53406	B 1

3	5/29/20	Updated Drawing	RJH
2	4/9/19	Added all Key Switch Wiring	RJH
REV	DATE	DESCRIPTION	REV BY